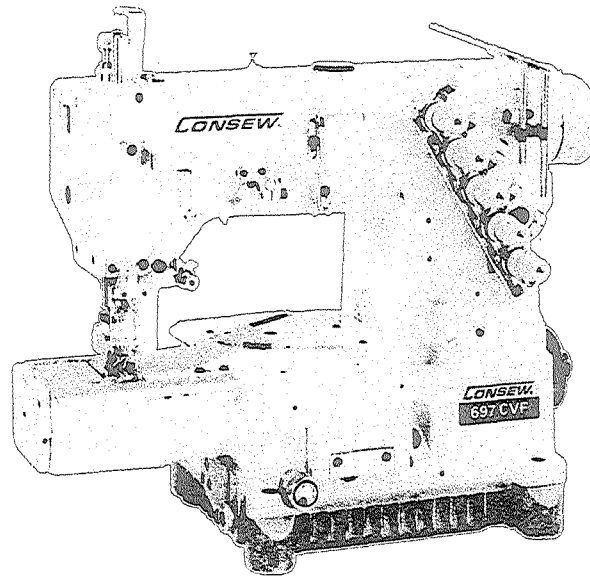


Since 1898
CONSEW®

— CONSOLIDATED SEWING MACHINE CORP.

PARTS MANUAL FOR Model 697CVF



**HIGH SPEED, CYLINDER BED, TOP & BOTTOM
COVERSTITCH MACHINE**

BLANK INSIDE COVER



PARTS MANUAL FOR MODEL 697CVF

HIGH SPEED, CYLINDER BED, TOP & BOTTOM COVERSTITCH MACHINE

TABLE OF CONTENTS

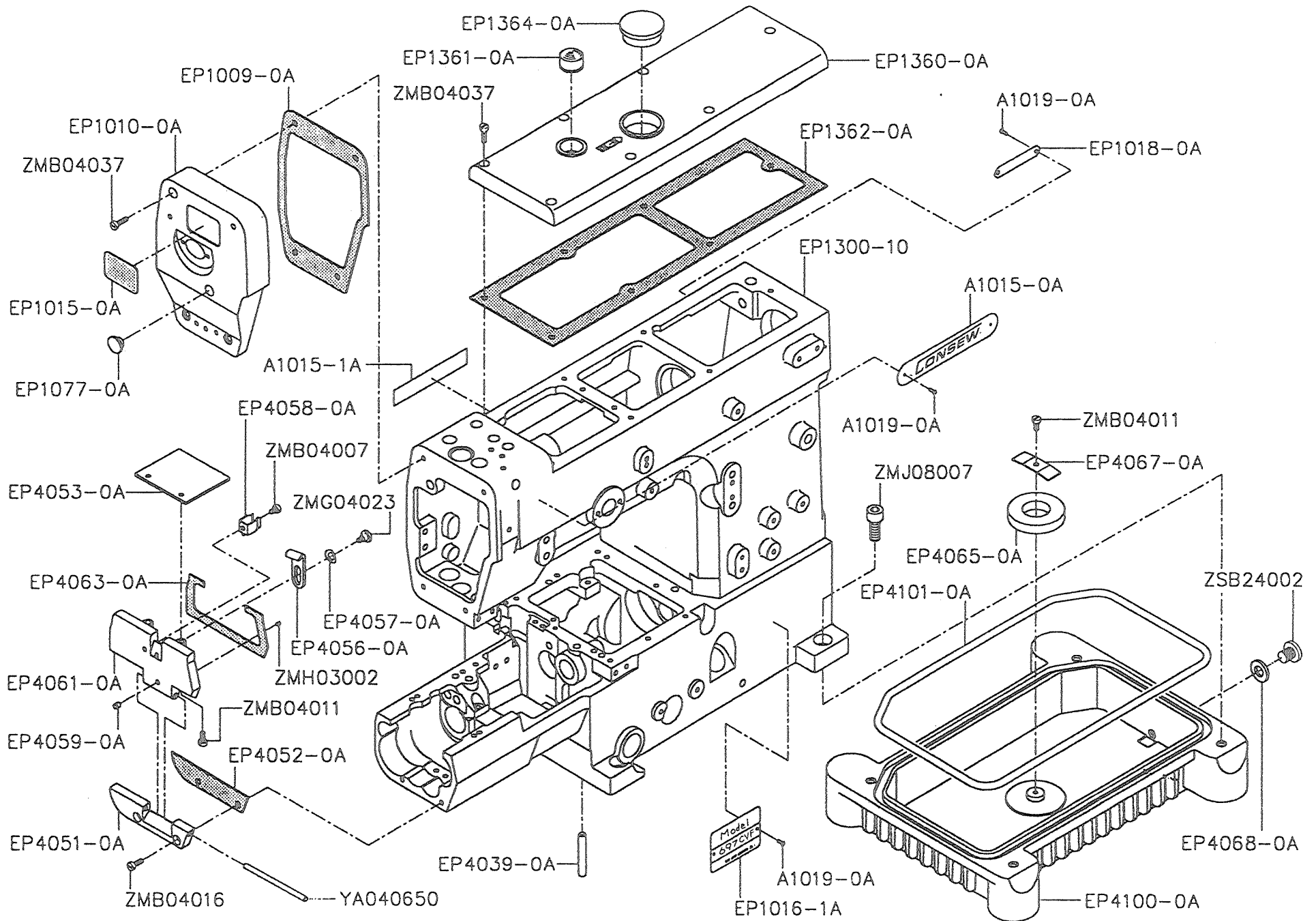
	PAGE
A、 MISCELLANEOUS COVERS(1) -----	2-5
B、 MISCELLANEOUS COVERS(2) -----	6-9
C、 MISCELLANEOUS THREAD EYELETS -----	10-13
D、 MISCELLANEOUS BUSHINGS -----	14-15
E、 MAIN SHAFT DRIVING MECHANISM -----	16-17
F、 THREAD TAKE-UP MECHANISM -----	18-19
G、 UPPER SHAFT MECHANISM -----	20-21
H、 NEEDLE THREAD TAKE-UP MECHANISM -----	22-23
I、 NEEDLE BAR MECHANISM -----	24-27
J、 PRESSER FOOT MECHANISM -----	28-31
K、 SPREADER MECHANISM -----	32-33
L、 LOOPER DRIVING MECHANISM(1) -----	34-35
M、 LOOPER DRIVING MECHANISM(2) -----	36-37
N、 FEED DRIVING CONTROL MECHANISM -----	38-41
O、 NEEDLE GUARD & FEED DRIVING MECHANISM --	42-45
P、 LUBRICATING SYSTEM(1) -----	46-49
Q、 LUBRICATING SYSTEM(2) -----	50-51
R、 ACCESSORIES -----	52-55
S、 NUMERICAL PARTS-LIST -----	56-59
T、 APPENDIX -----	60

Note: Some sections that used to be on 2 pages have been combined and have 2 page numbers on them so that the parts list will still work

From the library of: Superior Sewing Machine & Supply LLC

A. MISCELLANEOUS COVERS(1)

Consew 697CVF



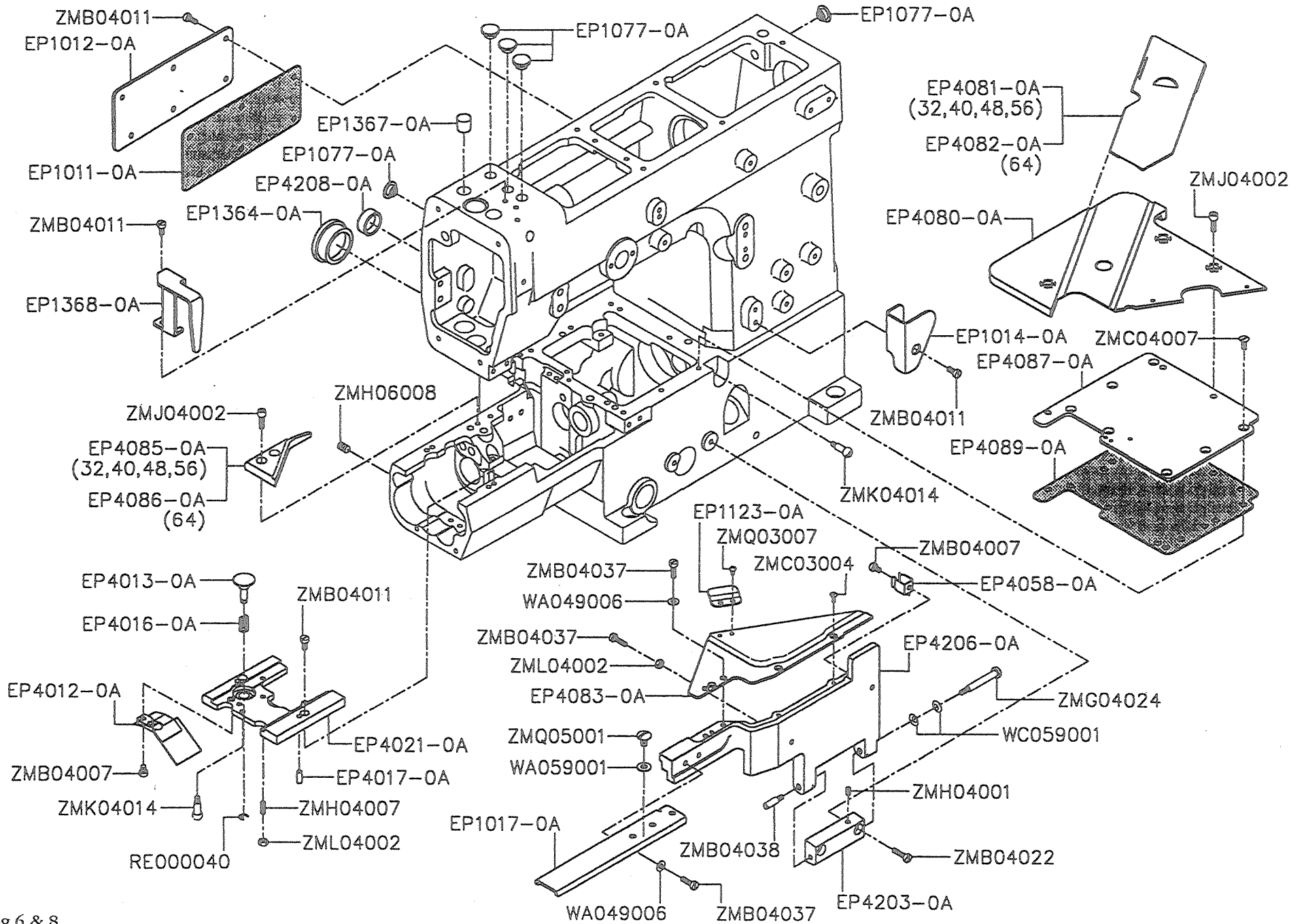
A. MISCELLANEOUS COVERS(1)

Consew 697CVF

Parts No.	Name of Parts	Q' TY	Parts No.	Name of Parts	Q' TY
A1015-0A	Brand Name Plate -----	1	ZMB04011	Screw (M4-0.7×8) -----	3
A1015-1A	Brand Name Plate -----	1	ZMB04016	Screw (M4-0.7×10) -----	2
A1019-0A	Rivet -----	6	ZMB04037	Screw (M4-0.7×12) -----	11
EP1009-0A	Head Cover Gasket -----	1	ZMG04023	Screw (M4-0.7×5) -----	1
EP1010-0A	Head Cover -----	1	ZMH03002	Screw (M3-0.5×3) -----	1
EP1015-0A	Brand Name Plate -----	1	ZMJ08007	Screw (M8-1.25×20) -----	4
EP1016-1A	Model Plate -----	1	ZSB24002	Screw (3/8-28×8) -----	1
EP1018-0A	Serial Number Plate -----	1			
EP1077-0A	Head Cover Seal Plug -----	1			
EP1300-10	Machine Frame Unit -----	1			
EP1360-0A	Top cover -----	1			
EP1361-0A	Oil Sight Window -----	1			
EP1362-0A	Top cover Gasket -----	1			
EP1364-0A	Top Cover Seal Plug -----	1			
EP4039-0A	Machine Frame Supporting Bar ---	4			
EP4051-0A	Side Cover Hinge -----	1			
EP4052-0A	Side Cover Hinge Gasket -----	1			
EP4053-0A	Cloth Plate -----	1			
EP4056-0A	Side Cover Hook -----	1			
EP4057-0A	Conical Spring Washer -----	1			
EP4058-0A	Cover Latch Spring -----	1			
EP4059-0A	Seal Plug (Rubber) -----	1			
EP4061-0A	Side Cover -----	1			
EP4063-0A	Side Cover Gasket -----	1			
EP4065-0A	Magnet -----	1			
EP4067-0A	Magnet Holder -----	1			
EP4068-0A	Drain Hole Seal -----	1			
EP4100-0A	Oil Reservoir -----	1			
EP4101-0A	Oil Reservoir Gasket -----	1			
YA040650	Side Cover Hinge Pin -----	1			
ZMB04007	Screw (M4-0.7×5) -----	1			

B. MISCELLANEOUS COVERS(2)

Consew 697CVF



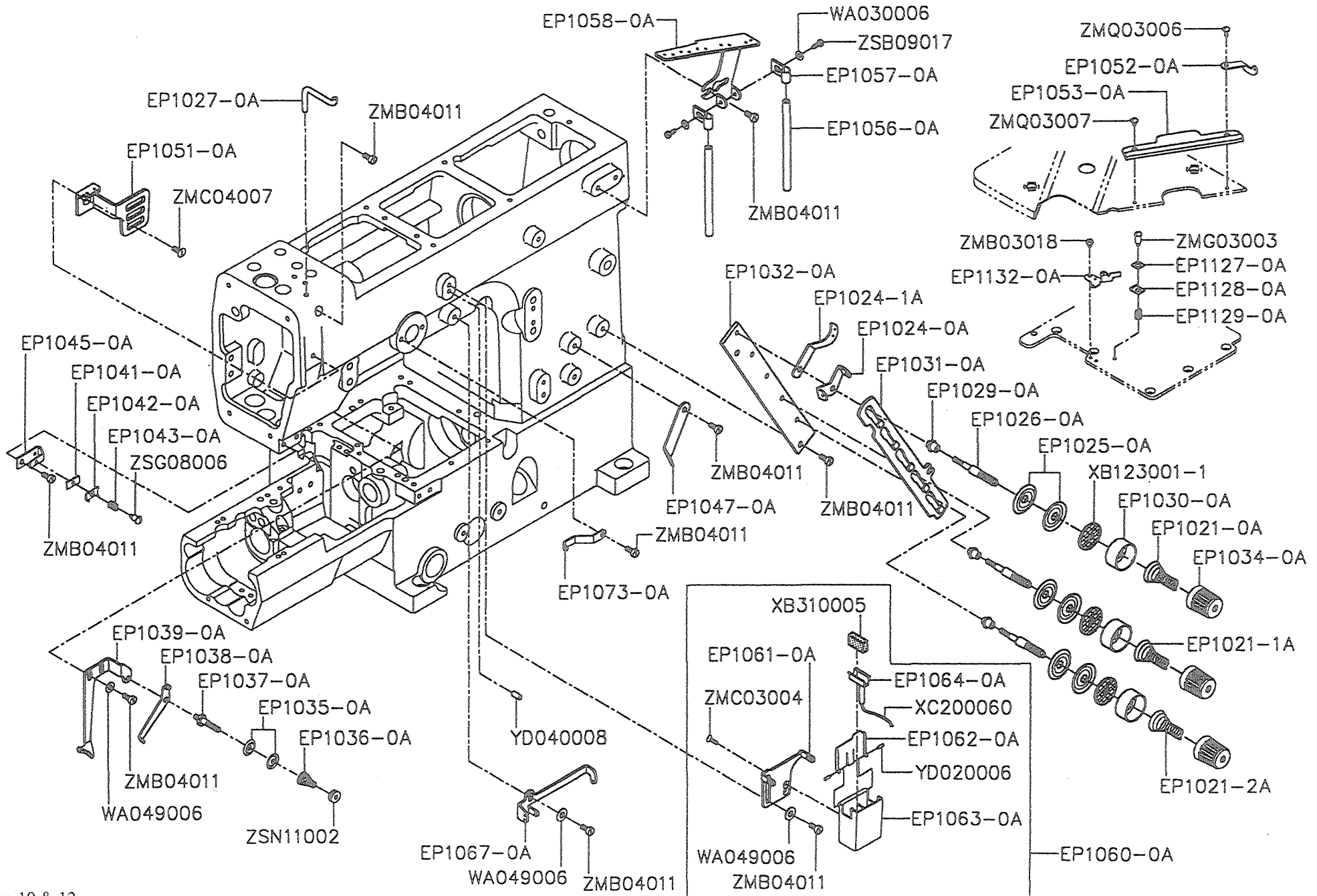
B. MISCELLANEOUS COVERS(2)

Consew 697CVF

Parts No.	Name of Parts	Q' TY	Parts No.	Name of Parts	Q' TY
EP1011-0A	Rear Cover Gasket -----	1	ZMBO4011	Screw (M4-0.7×8) -----	11
EP1012-0A	Rear Cover -----	1	ZMBO4022	Screw (M4-0.7×14) -----	2
EP1014-0A	Eyelet Cover -----	1	ZMBO4037	Screw (M4-0.7×12) -----	5
EP1017-0A	Supplementary Front cover -----	1	ZMBO4038	Screw (M4-0.7×8) -----	1
EP1077-0A	Seal Plug -----	5	ZMCO3004	Screw (M3-0.5×6) -----	3
EP1123-0A	Supplementary Tension Disc Cover -----	1	ZMCO4007	Screw (M4-0.7×7.3) ---	7
EP1364-0A	Seal Plug -----	1	ZMGO4024	Screw (M4-0.7×8) -----	1
EP1367-0A	Seal Plug -----	1	ZMHO4001	Screw (M4-0.7×4) -----	1
EP1368-0A	Needle Bar Guard -----	1	ZMHO4007	Screw (M4-0.7×10) -----	1
EP4012-0A	Oil Defender -----	1	ZMHO6008	Screw (M6-1×6) -----	1
EP4013-0A	Feed Regulating push-button -----	1	ZMJ04002	Screw (M4-0.7×12) -----	5
EP4016-0A	Feed Regulating push-button Spring -----	1	ZMK04014	Screw (M4-0.7×5) -----	2
EP4017-0A	Knock Pin -----	2	ZML04002	Nut (M4-0.7) -----	2
EP4021-0A	Stitch Plate Support -----	1	ZMQ03007	Screw (M3-0.5×3) -----	2
EP4058-0A	Cover Latch Spring -----	1	ZMQ05001	Screw (M5-0.8×8) -----	2
EP4080-0A	Cloth Plate -----	1			
EP4081-0A	Slide Cover (32, 40, 48, 56) -----	1			
EP4082-0A	Slide Cover (64) -----	1			
EP4083-0A	Front Cover (Upper) -----	1			
EP4085-0A	Supplementary Slide Cover (32, 40, 48, 56) -----	1			
EP4086-0A	Supplementary Slide Cover (64) -----	1			
EP4087-0A	Crank Chamber Cover -----	1			
EP4089-0A	Crank Chamber Cover Gasket -----	1			
EP4203-0A	Front Cover Hinge -----	1			
EP4206-0A	Front Cover (Lower) -----	1			
EP4208-0A	Seal Plug -----	1			
RE000040	Retaining Ring -----	1			
WA049006	Washer -----	4			
WA059001	Washer -----	2			
WC059001	Conical Spring Washer -----	2			
ZMBO4007	Screw (M4-0.7×5) -----	3			

C. MISCELLANEOUS THREAD EYELETS

Consew 697CVF

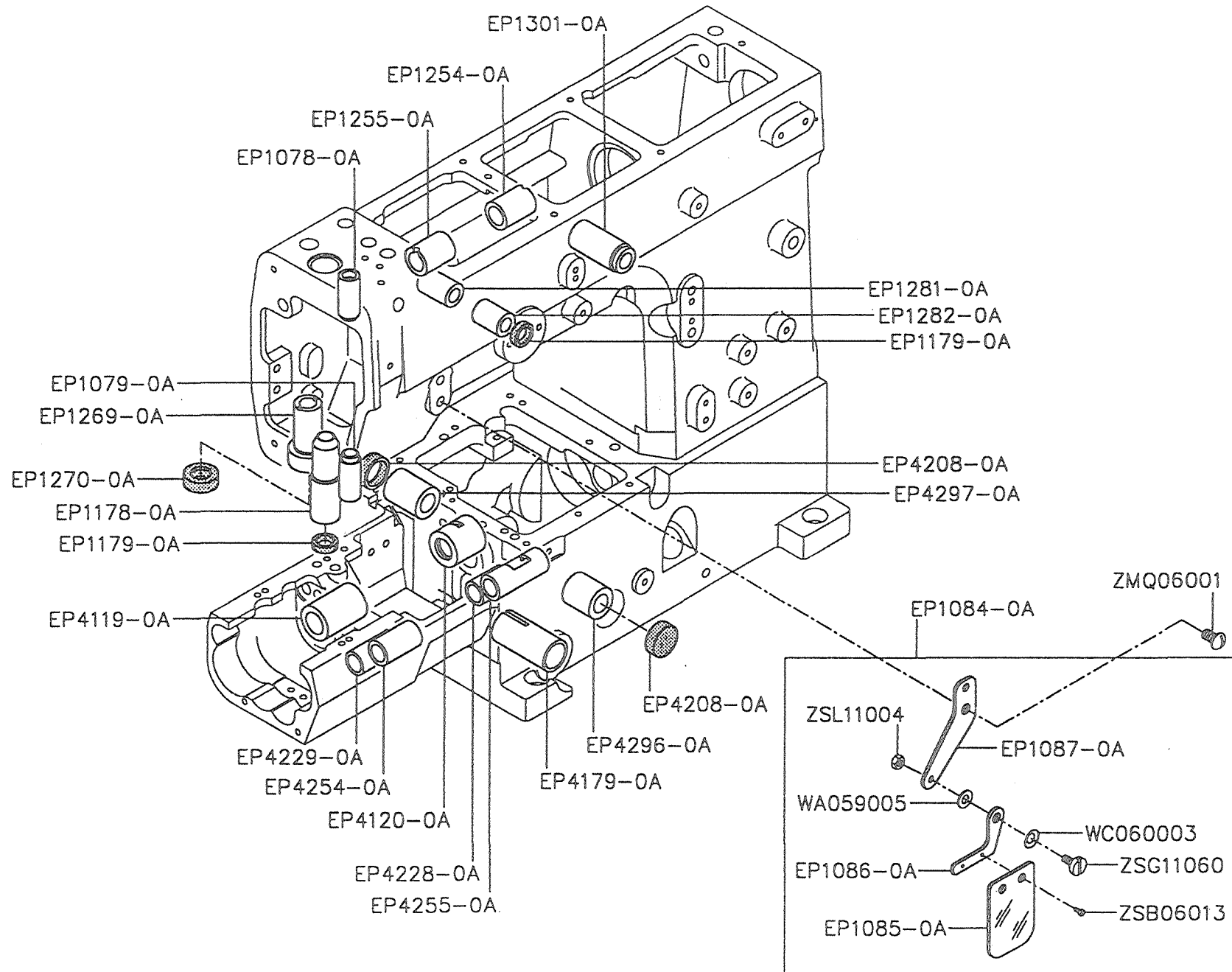


C. MISCELLANEOUS THREAD EYELETS

Parts No.	Name of Parts	Q'TY	Parts No.	Name of Parts	Q'TY
EP1021-0A	Needle Thread Tension Spring	3	EP1062-0A	SP Container Lid	1
EP1021-1A	Top Cover Thread Tension Spring	1	EP1063-0A	SP Container	1
EP1021-2A	Looper Thread Tension Spring	1	EP1064-0A	SP Felt Stay	1
EP1024-0A	Tension Disc Eyelet	5	EP1067-0A	Top Cover Thread Eyelet (Right)	1
EP1024-1A	Thread Lead-in Guide	5	EP1073-0A	Top Cover Thread Eyelet (Left)	1
EP1025-0A	Tension Disc	10	EP1127-0A	Supplementary Tension Disc (Upper)	1
EP1026-0A	Tension Post	5	EP1128-0A	Supplementary Tension Disc (Lower)	1
EP1027-0A	Needle Thread Guide	1	EP1129-0A	Supplementary Tension Spring	1
EP1029-0A	Tension Post Ferrule	5	EP1132-0A	Tension Disc Guide	1
EP1030-0A	Thread Tension Spring Retainer	5	WA030006	Washer	2
EP1031-0A	Tension Disc Separator	1	WA049006	Washer	4
EP1032-0A	Tension Post Support	1	XB123001-1	Felt	5
EP1034-0A	Thread Tension Spring Cap	5	XB310005	Felt	1
EP1035-0A	Supplementary Tension Disc	2	XC200060	Felt	1
EP1036-0A	Supplementary Tension Spring	1	YD020006	Pin	2
EP1037-0A	Tension Post	1	YD040008	Guide Pin	1
EP1038-0A	Supplementary Thread Guide	1	ZMB03018	Screw (M3-0.5×3.5)	1
EP1039-0A	Top Cover Thread Guide	1	ZMB04011	Screw (M4-0.7×8)	12
EP1041-0A	Thread Retainer Disc Support	1	ZMC03004	Screw (M3-0.5×8)	2
EP1042-0A	Needle Thread Retainer Disc	1	ZMC04007	Screw (M4-0.7×4.5)	1
EP1043-0A	Needle Thread Retainer Spring	1	ZMG03003	Screw (M3-0.5×9.6)	1
EP1045-0A	Needle Thread Retainer Support	1	ZMQ03006	Screw (M3-0.5×6)	1
EP1047-0A	Looper Thread Eyelet (Long)	1	ZMQ03007	Screw (M3-0.5×3)	1
EP1051-0A	Needle Thread Take-up Guard	1	ZSB09017	Screw (9/64-40×7)	2
EP1052-0A	Looper Thread Eyelet (Center)	1	ZSG08006	Screw (1/8-44×2.2)	1
EP1053-0A	Looper Thread Guard	1	ZSN11002	Nut	1
EP1056-0A	Thread Eyelet Pipe (Short)	2			
EP1057-0A	Thread Eyelet Pipe Stay	2			
EP1058-0A	Thread Guide Plate	1			
EP1060-0A	SP Device, Complete Set	1			
EP1061-0A	Needle Thread Eyelet	1			

D. MISCELLANEOUS BUSHINGS

Consew 697CVF



D. MISCELLANEOUS BUSHINGS

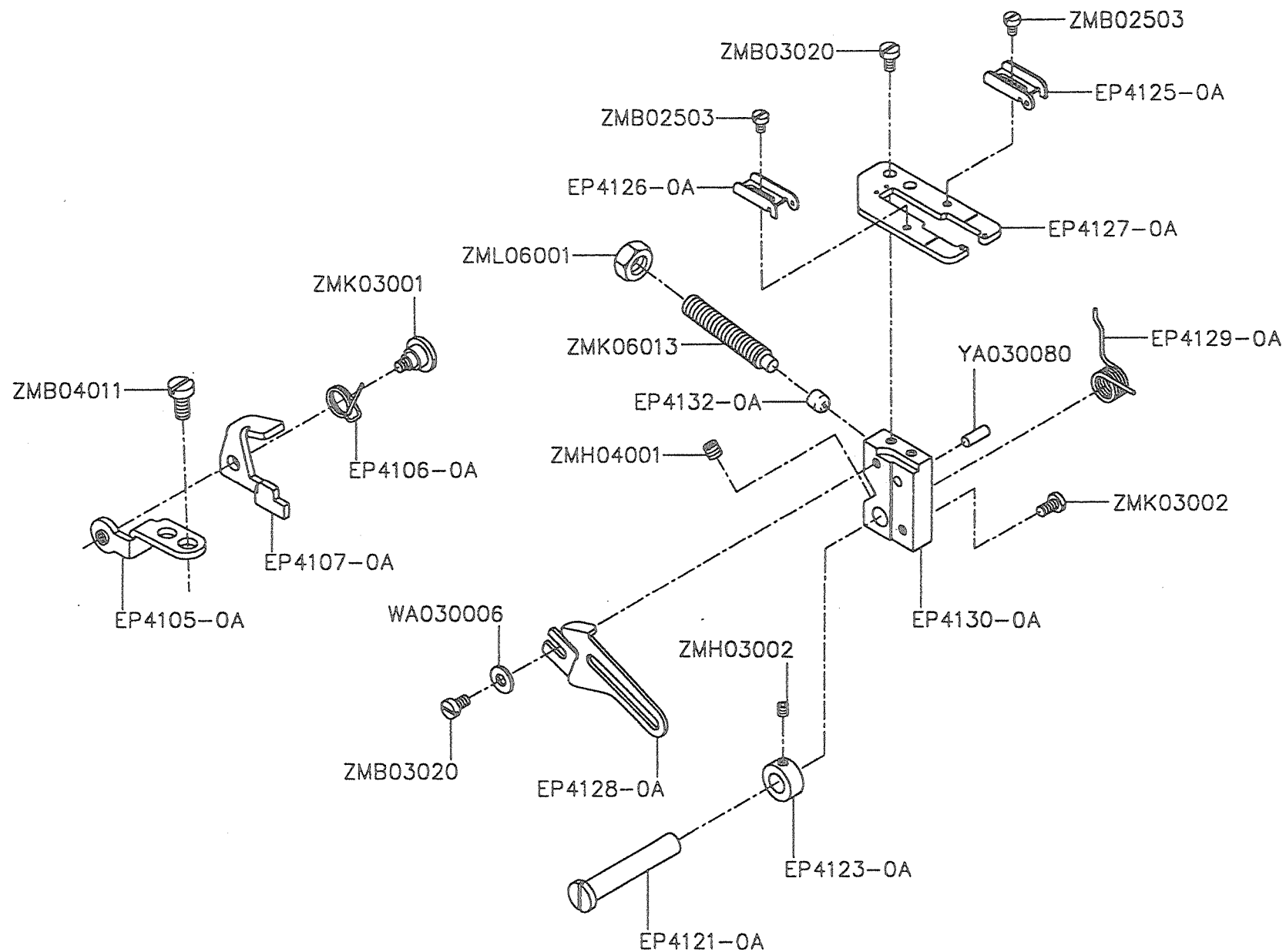
Parts No.	Name of Parts	Q'TY
EP1078-0A	Needle Bar Bushing (Upper) -----	1
EP1079-0A	Needle Bar Bushing (Lower) -----	1
EP1084-0A	Eye Guard, Complete Set -----	1
EP1085-0A	Eye Guard -----	1
EP1086-0A	Eye Guard Holder -----	1
EP1087-0A	Eye Guard Support -----	1
EP1178-0A	Presser Bar Bushing -----	1
EP1179-0A	Oil Seal -----	2
EP1254-0A	Spreader Driving Shaft Bushing (Right) -----	1
EP1255-0A	Spreader Driving Shaft Bushing (Left) -----	1
EP1269-0A	Spreader Driving Bar Bushing -----	1
EP1270-0A	Oil Seal -----	1
EP1281-0A	Needle Thread Take-up Bushing (Rear) -----	1
EP1282-0A	Needle Thread Take-up Bushing (Front) -----	1
EP1301-0A	Foot Lifter Lever Bushing -----	1
EP4119-0A	Lower Shaft Bushing (Left) -----	1
EP4120-0A	Lower Shaft Bushing (Right) -----	1
EP4179-0A	Adjusting Screw Bushing -----	1
EP4208-0A	Seal Plug -----	2
EP4228-0A	Differential Feed Bar Shaft Bushing (Right) -	1
EP4229-0A	Differential Feed Bar Shaft Bushing (Left) --	1
EP4254-0A	Feed Bar Lift Shaft Bushing (Left) -----	1
EP4255-0A	Feed Bar Lift Shaft Bushing (right) -----	1
EP4296-0A	Looper Driving Shaft Bushing (Front) -----	1
EP4297-0A	Looper Driving Shaft Bushing (Rear) -----	1
WA059005	Washer -----	1
WC060003	Conical Spring Washer -----	1
ZMQ06001	Screw (M6-1×10) -----	1
ZSB06013	Screw (3/32-56×4.2) -----	2
ZSG11060	Screw (11/64-40×9.7) -----	1
ZSL11004	Nut -----	1

E. MAIN SHAFT DRIVING MECHANISM

Parts No.	Name of Parts	Q'TY
BB6204VVNR	Ball Bearing (Middle) -----	1
BB6205VVNR	Ball Bearing (Right) -----	1
EP1273-0A	counterweight (Small) -----	1
EP1347-0A	Main Shaft Pulley (Lower) ---	1
EP4010-0A	Lower Shaft (Right) -----	1
EP4113-0A	Seal Plug -----	1
EP4115-0A	Lower Shaft (Left) -----	1
EP4116-0A	Collar -----	1
EP4118-0A	Looper Thread Take-up -----	1
EP4134-0A	Pulley -----	1
EP4289-0A	Seal Plug -----	1
EP4401-0A	Lower crankshaft -----	1
EP4402-0A	Ball Bearing (Left) -----	1
EP4404-0A	Oil Pump Driving Worm -----	1
OPG04000	O-ring -----	2
XA300200	Oil Wick -----	1
XB200005	Oil Wick -----	2
YD020006	Roll Pin -----	3
ZMA05003	Screw (M5-0.8×4) -----	2
ZMB04011	Screw (M4-0.7×8) -----	2
ZMH03002	Screw (M3-0.5×3) -----	1
ZMH06003	Screw (M6-1×8) -----	1
ZMH06008	Screw (M6-1×6) -----	5
ZMH06011	Screw (M6-1×8) -----	4
ZMH06015	Screw (M6-1×4.8) -----	2

F. THREAD TAKE-UP MECHANISM

Consew 697CVF



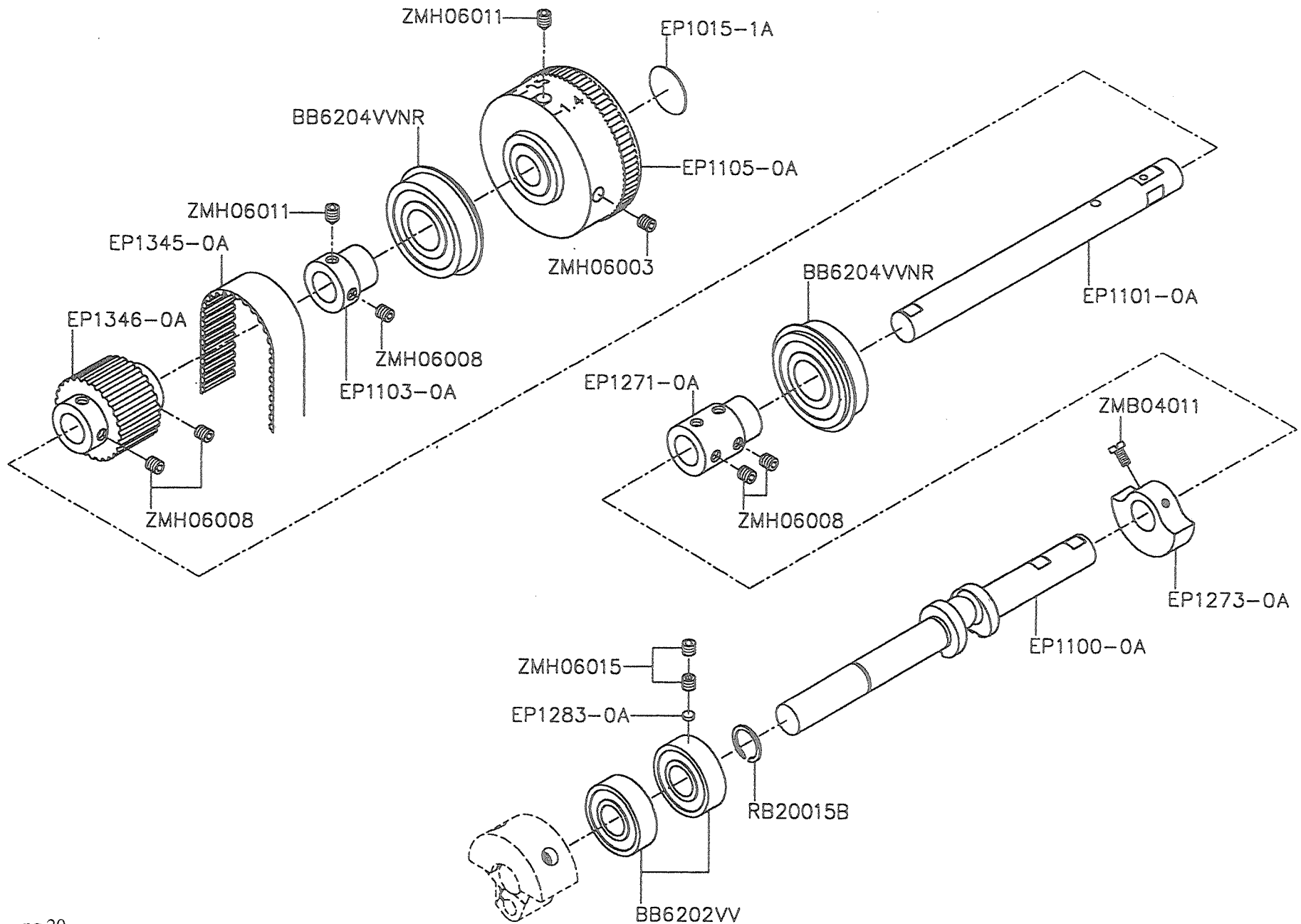
F. THREAD TAKE-UP MECHANISM

Consew 697CVF

Parts No.	Name of Parts	Q'TY
EP4105-0A	Stop Bracket -----	1
EP4106-0A	Stop Spring -----	1
EP4107-0A	Supporting Plate Stop -----	1
EP4121-0A	Basement Shaft -----	1
EP4123-0A	Collar -----	1
EP4125-0A	Thread Take-up Eyelet (Right) ---	1
EP4126-0A	Thread Take-up Eyelet (Left) ----	1
EP4127-0A	Supporting Plate -----	1
EP4128-0A	Cast-off Plate -----	1
EP4129-0A	Supporting Plate Return Spring --	1
EP4130-0A	Supporting Plate Basement -----	1
EP4132-0A	Basement Cushion -----	1
WA030006	Washer -----	1
YA030080	Pin -----	1
ZMB02503	Screw (M2.5-0.45×3.5) -----	2
ZMB03020	Screw (M3-0.5×5) -----	3
ZMB04011	Screw (M4-0.7×8) -----	2
ZMH03002	Screw (M3-0.5×3) -----	1
ZMH04001	Screw (M4-0.7×4) -----	1
ZMK03001	Screw (M3-0.5×3) -----	1
ZMK03002	Screw (M3-0.6×6) -----	1
ZMK06013	Stop Screw (M6-1×35) -----	1
ZML06001	Nut (M6-1) -----	1

G. UPPER SHAFT MECHANISM

Consew 697CVF



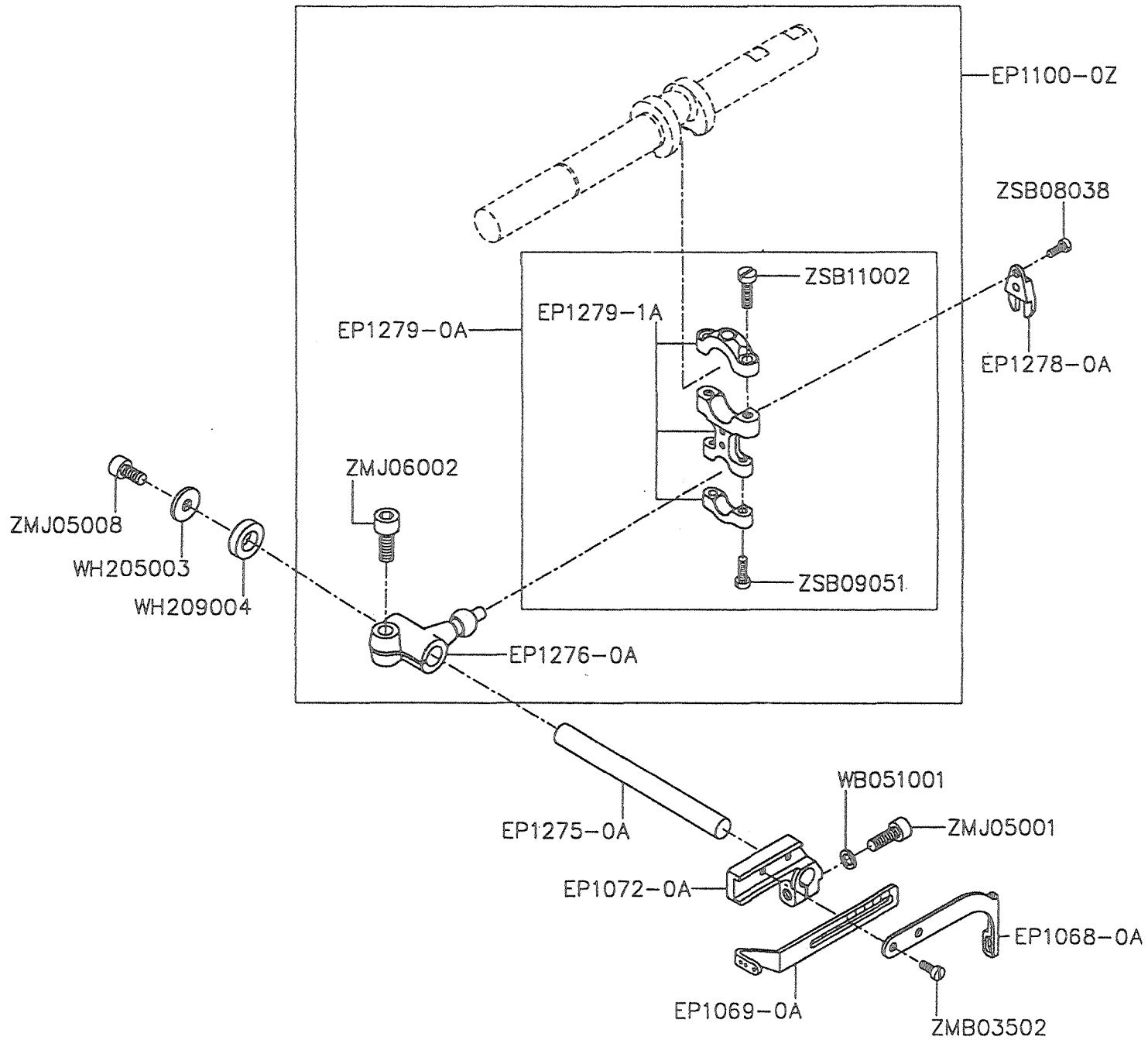
G. UPPER SHAFT MECHANISM

Consew 697CVF

Parts No.	Name of Parts	Q'TY
BB6202VV	Ball Bearing -----	2
BB6204VVNR	Ball Bearing -----	2
EP1015-1A	Handwheel Mark -----	1
EP1100-0A	Upper Crankshaft -----	1
EP1101-0A	Upper Shaft (Right) ----	1
EP1103-0A	Handwheel Adapter -----	1
EP1105-0A	Handwheel -----	1
EP1271-0A	Upper Shaft Joint -----	1
EP1273-0A	counterweight (Small) --	1
EP1283-0A	Rubber Seat -----	1
EP1345-0A	Timing Belt -----	1
EP1346-0A	Upper Shaft Pulley -----	1
RB20015B	Retaining Ring -----	1
ZMBO4011	Screw (M4-0.7×8) -----	2
ZMHO6003	Screw (M6-1×8) -----	1
ZMHO6008	Screw (M6-1×6) -----	9
ZMHO6011	Screw (M6-1×8) -----	2
ZMHO6015	Screw (M6-1×4.8) -----	2

H. NEEDLE THREAD TAKE-UP MECHANISM

Consew 697CVF

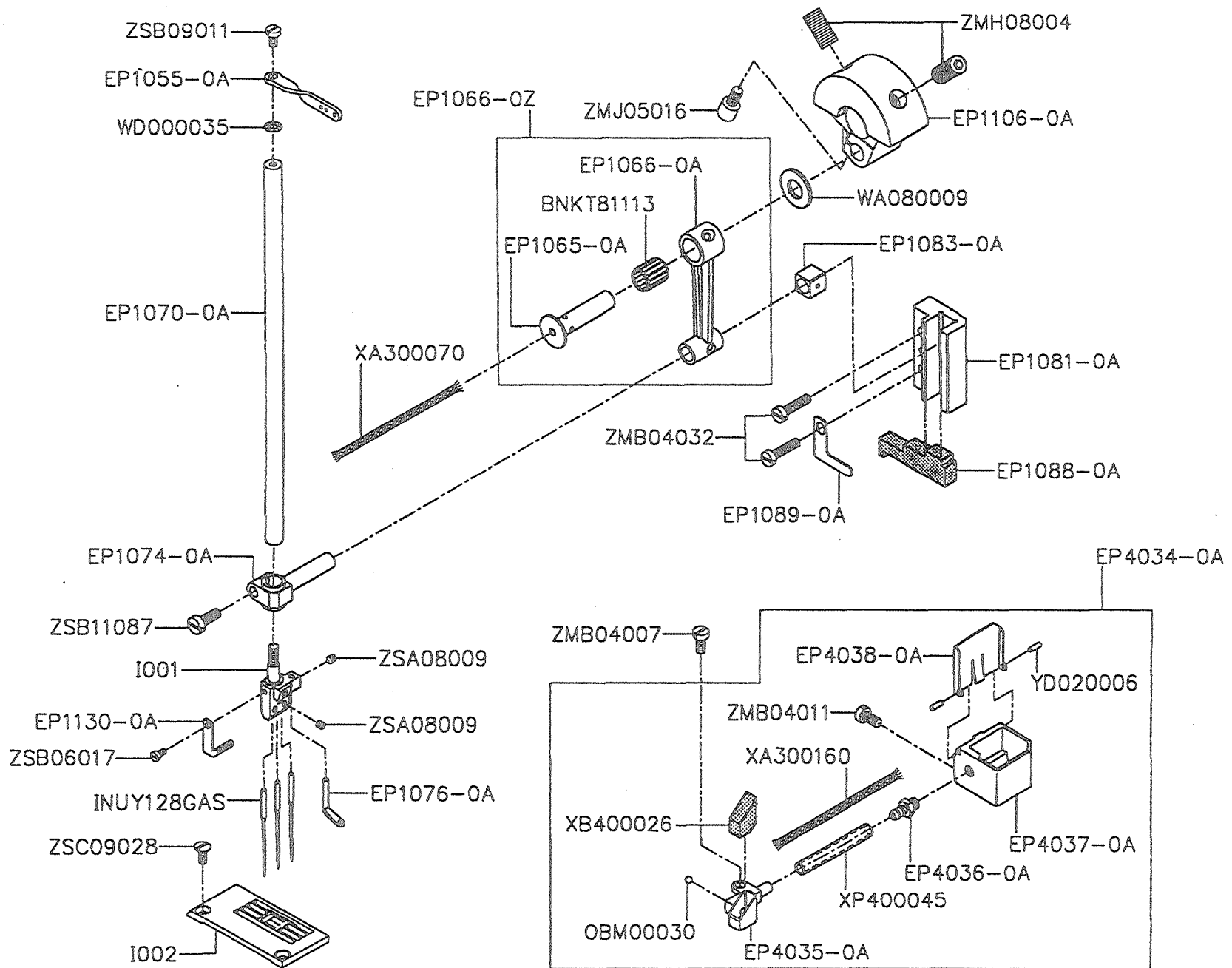


H. NEEDLE THREAD TAKE-UP MECHANISM

Parts No.	Name of Parts	Q'TY
EP1068-0A	Top Cover Thread Take-up -----	1
EP1069-0A	Needle Thread Take-up -----	1
EP1072-0A	Bracket -----	1
EP1100-0Z	Upper Crankshaft, Complete Set ---	1
EP1275-0A	Driving Shaft -----	1
EP1276-0A	Driving Lever -----	1
EP1278-0A	Guide Fork -----	1
EP1279-0A	Connecting Rod, Complete Set -----	1
EP1279-1A	Connecting Rod -----	1
WB051001	Spring Washer -----	1
WH205003	Washer -----	1
WH209004	Spacer -----	1
ZMB03502	Screw (M3.5-0.6×8) -----	2
ZMJ05001	Screw (M5-0.8×14) -----	1
ZMJ05008	Screw (M5-0.8×10) -----	1
ZMJ06002	Screw (M6-1×15) -----	1
ZSB08038	Screw (1/8-44×7.9) -----	2
ZSB09051	Screw (9/64-40×10.3) -----	2
ZSB11002	Screw (11/64-40×14) -----	2

I. NEEDLE BAR MECHANISM

Consew 697CVF



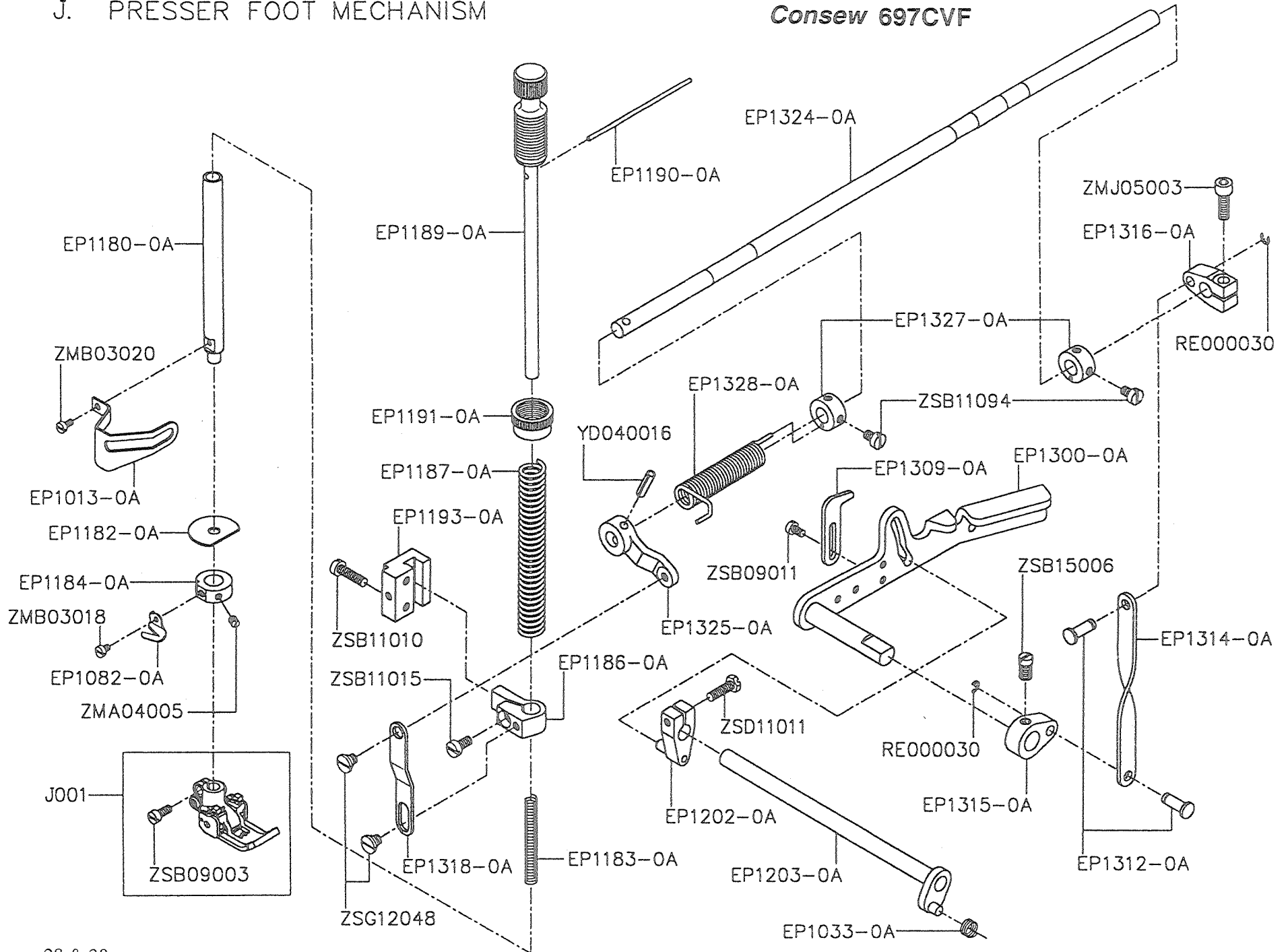
I. NEEDLE BAR MECHANISM

Consew 697CVF

Parts No.	Name of Parts	Q'TY	Parts No.	Name of Parts	Q'TY
BNKT81113	Roller Bearing -----	1	ZMH08004	Screw (M8-1×16) -----	2
EP1055-0A	Needle Bar Thread Eyelet -----	1	ZMJ05016	Screw (M5-0.8×10) -----	1
EP1065-0A	Connecting Rod Pin -----	1	ZSA08009	Screw (1/8-44×2.4) ---	4
EP1066-0A	Connecting Rod -----	1	ZSB06017	Screw (3/32-56×4) -----	1
EP1066-0Z	Connecting Rod, Complete Set --	1	ZSB09011	Screw (9/64-40×5.6) --	1
EP1070-0A	Needle Bar -----	1	ZSB11087	Screw (11/64-40×11) --	1
EP1074-0A	Needle Bar Bracket -----	1	ZSC09028	Screw (9/64-40×7) -----	2
EP1076-0A	Top Cover Thread Eyelet -----	1			
EP1081-0A	Needle Bar Guide -----	1	I001	(See APPENDIX)	
EP1083-0A	Slide Block -----	1	I002	(See APPENDIX)	
EP1088-0A	Sponge -----	1			
EP1089-0A	Fixing Plate -----	1			
EP1106-0A	Counterweight -----	1			
EP1130-0A	Needle Thread Eyelet -----	1			
EP4034-0A	HR Device, Complete Set -----	1			
EP4035-0A	HR Cup -----	1			
EP4036-0A	Pipe Joint -----	1			
EP4037-0A	HR Container -----	1			
EP4038-0A	HR Container Lid -----	1			
INUY128GAS	Needle -----	3			
OBM00030	Seal Plug -----	1			
WA080009	Connecting Rod Ring -----	1			
WD000035	Washer -----	1			
XA300070	Oil Wick -----	1			
XA300160	Felt -----	1			
XB400026	HR Felt -----	1			
XP400045	Oil Tube -----	1			
YD020006	Roll Pin -----	2			
ZMB04007	Screw (M4-0.7×8) -----	1			
ZMB04011	Screw (M4-0.7×8) -----	2			
ZMB04032	Screw (M4-0.7×16) -----	2			

J. PRESSER FOOT MECHANISM

Consew 697CVF



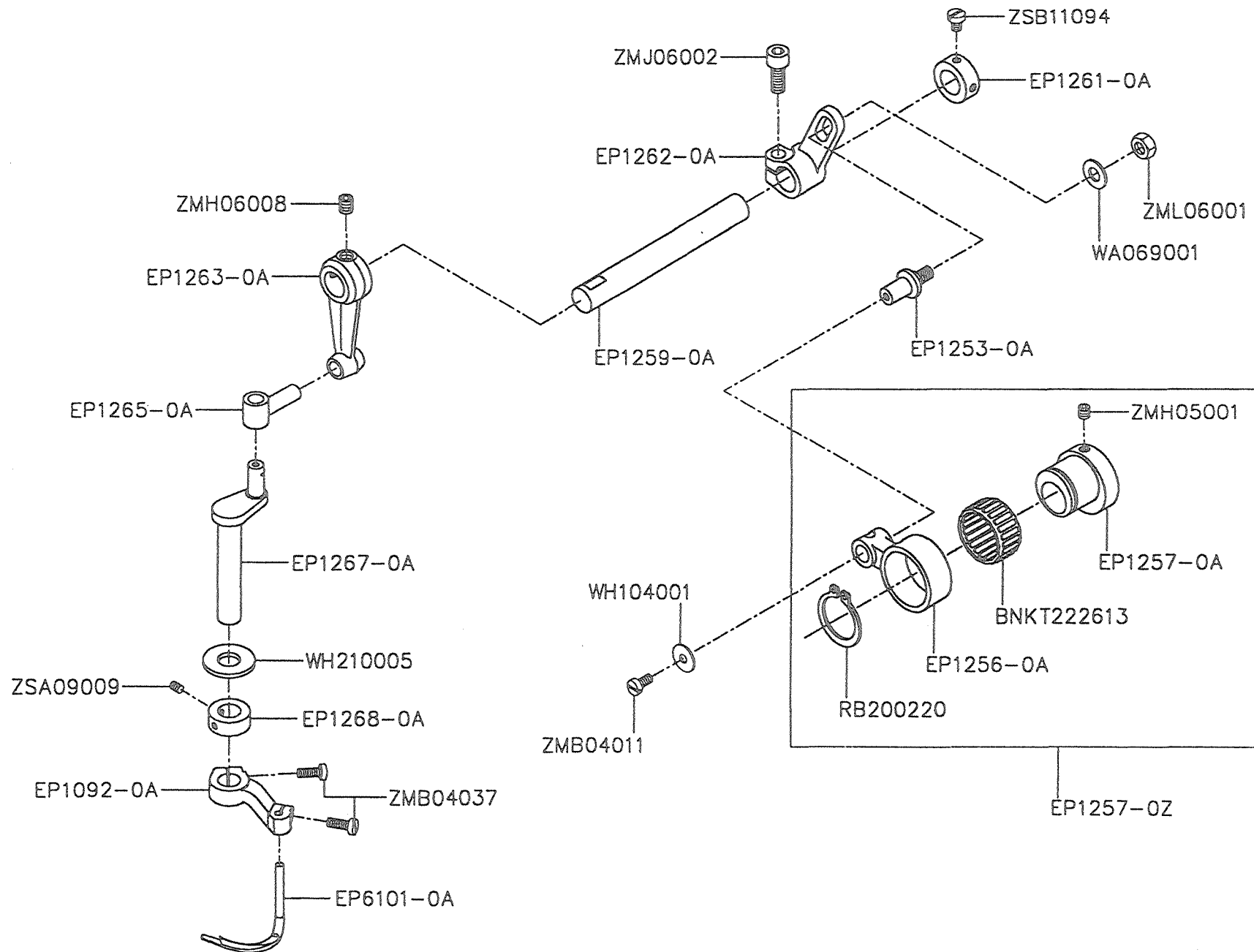
J. PRESSER FOOT MECHANISM

Consew 697CVF

Parts No.	Name of Parts	Q'TY	Parts No.	Name of Parts	Q'TY
EP1013-0A	Finger Guard -----	1	ZMJ05003	Screw (M5-0.8×15) -----	1
EP1033-0A	Swing-proof Spring -----	1	ZSB09003	Screw (9/64-40×10) -----	1
EP1082-0A	Thread Chain Cutting Knife -----	1	ZSB09011	Screw (9/64-40×5.6) -----	2
EP1180-0A	Presser Bar -----	1	ZSB11010	Screw (11/64-40×16) -----	2
EP1182-0A	Oil Protector Ring -----	1	ZSB11015	Screw (11/64-40×8.3) -----	1
EP1183-0A	Presser Bar Spring (Inner) -----	1	ZSB11094	Screw (11/64-40×5.5) -----	4
EP1184-0A	Collar -----	1	ZSB15006	Screw (15/64-28×9.5) -----	1
EP1186-0A	Presser Bar Connecting Bracket --	1	ZSD11011	Screw (11/64-40×14.5) ---	1
EP1187-0A	Presser Bar Spring (Outer) -----	1	ZSG12048	Screw (3/16-32×2.2) -----	2
EP1189-0A	Presser Spring Regulator -----	1			
EP1190-0A	Wire -----	1			
EP1191-0A	Lock Nut -----	1	J001	(See APPENDIX)	
EP1193-0A	Presser Bar Guide -----	1			
EP1202-0A	Tension Release Lever -----	1			
EP1203-0A	Tension Release Shaft -----	1			
EP1300-0A	Lifter Lever -----	1			
EP1309-0A	Lifter Lever Stop -----	1			
EP1312-0A	Connecting Pin -----	2			
EP1314-0A	Connecting Plate -----	1			
EP1315-0A	Lifter Lever (Small) -----	1			
EP1316-0A	Intermediate Lever -----	1			
EP1318-0A	Lifter Link -----	1			
EP1324-0A	Lifter Shaft -----	1			
EP1325-0A	Lifter Link Lever -----	1			
EP1327-0A	Collar -----	2			
EP1328-0A	Lifter Spring -----	1			
RE000030	Retainer Ring -----	2			
YD040016	Fastener Pin -----	1			
ZMA04005	Screw (M4-0.7×4) -----	2			
ZMB03018	Screw (M3-0.5×3.5) -----	1			
ZMB03020	Screw (M3-0.5×5) -----	1			

K. SPREADER MECHANISM

Consew 697CVF

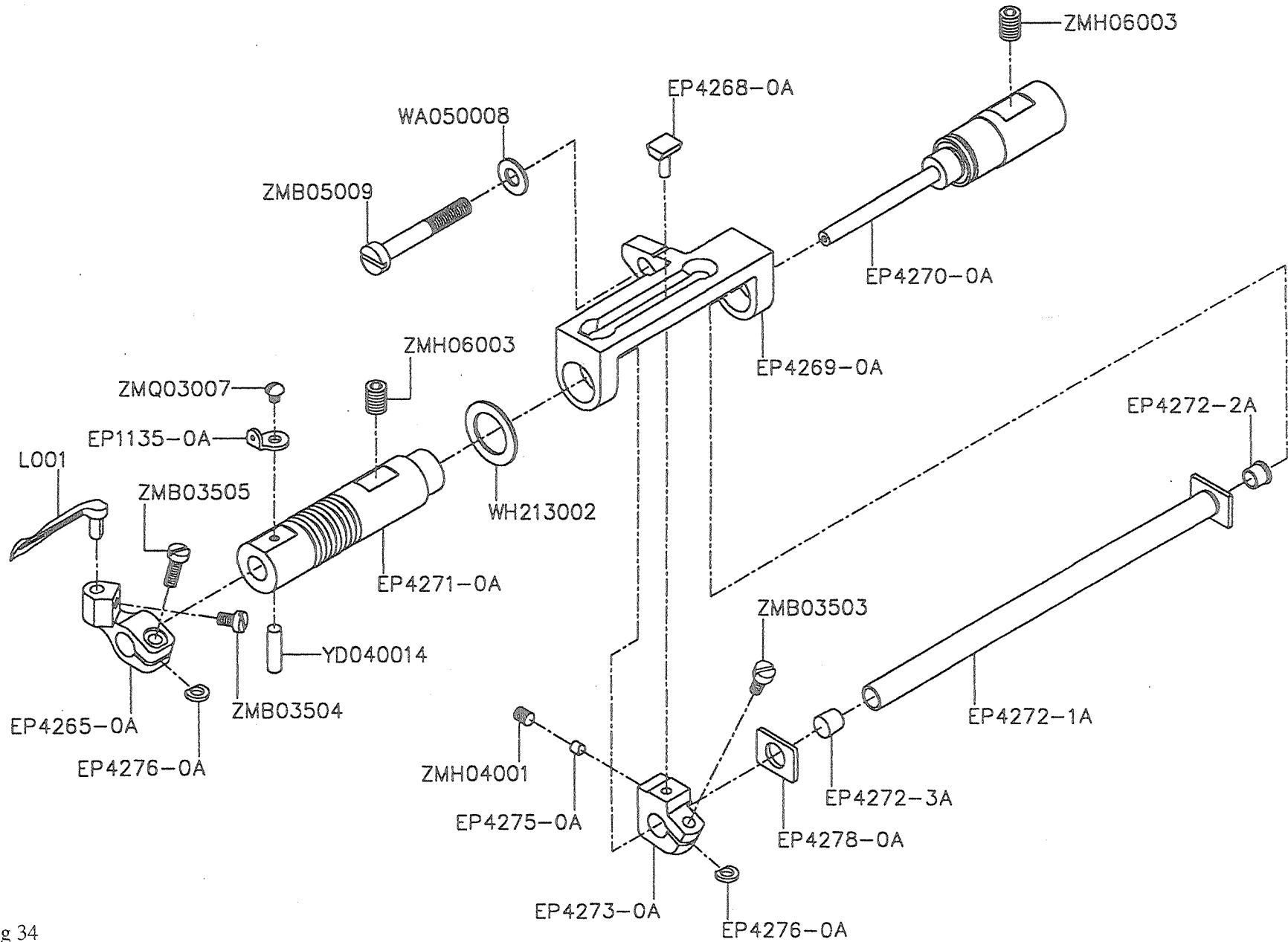


K. SPREADER MECHANISM

Parts No.	Name of Parts	Q'TY
BNKT222613	Roller Bearing -----	1
EP1092-0A	Spreader Holder -----	1
EP1253-0A	Adjusting Lever Pin -----	1
EP1256-0A	Connecting Rod -----	1
EP1257-0A	Eccentric -----	1
EP1257-0Z	Connecting Rod, Complete Set ---	1
EP1259-0A	Driving Shaft -----	1
EP1261-0A	Collar -----	1
EP1262-0A	Adjusting Lever -----	1
EP1263-0A	Rocking Arm -----	1
EP1265-0A	Rocking Pin -----	1
EP1267-0A	Spreader Bar -----	1
EP1268-0A	Collar -----	1
EP6101-0A	Spreader -----	1
RB200220	Retainer Ring -----	1
WA069001	Washer -----	1
WH104001	Washer -----	1
WH210005	Bushing Ring -----	1
ZMBO4011	Screw (M4-0.7×8) -----	1
ZMBO4037	Screw (M4-0.7×12) -----	2
ZMH05001	Screw (M5-0.8×5) -----	2
ZMH06008	Screw (M6-1×6) -----	2
ZMJ06002	Screw (M6-1×15) -----	1
ZML06001	Nut (M6-1) -----	1
ZSA09009	Screw (9/64-40×4.4) -----	2
ZSB11094	Screw (11/64-40×5.5) -----	2

L. LOOPER DRIVING MECHANISM(1)

Consew 697CVF



L. LOOPER DRIVING MECHANISM(1)

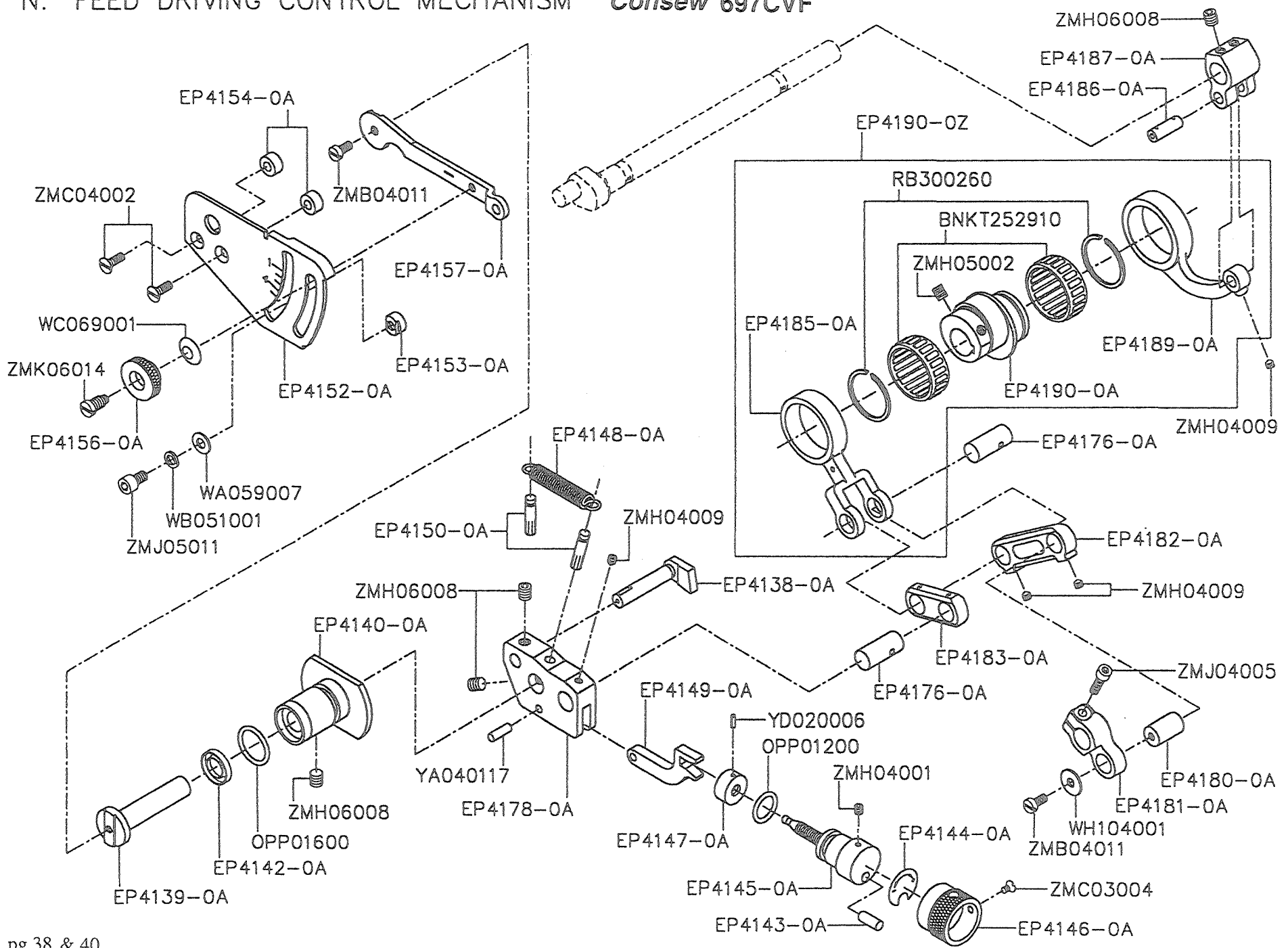
Parts No.	Name of Parts	Q'TY
EP1135-0A	Looper Thread Eyelet	-----1
EP4265-0A	Looper Holder	-----1
EP4268-0A	Slider	-----1
EP4269-0A	Looper Bar Guide	-----1
EP4270-0A	Looper Bar Guide Shaft	---1
EP4271-0A	Looper Bar Bushing	-----1
EP4272-1A	Looper Bar	-----1
EP4272-2A	Guide Shaft Bushing	-----1
EP4272-3A	Seal Plug	-----1
EP4273-0A	Slider Holder	-----1
EP4275-0A	Slider Presser	-----1
EP4276-0A	Spacer (Fiber)	-----2
EP4278-0A	Thrust Washer	-----1
WA050008	Washer	-----1
WH213002	Bushing Spacer	-----1
YD040014	Roll Pin	-----1
ZMB03503	Screw (M3.5-0.6×12)	-----1
ZMB03504	Screw (M3.5-0.6×6)	-----1
ZMB03505	Screw (M3.5-0.6×10)	-----1
ZMB05009	Screw (M5-0.8×35)	-----1
ZMH04001	Screw (M4-0.7×4)	-----1
ZMH06003	Screw (M6-1×8)	-----2
ZMQ03007	Screw (M3-0.5×3)	-----1

L001 (See APPENDIX)

M. LOOPER DRIVING MECHANISM(2)

Parts No.	Name of Parts	Q'TY
BNKT263013	Roller Bearing -----	1
EP4279-0A	Looper Rocker Adjusting Pin -----	1
EP4281-0A	Oil Splasher -----	1
EP4282-0A	Guide Fork -----	1
EP4283-0A	Seal Plug -----	2
EP4284-0A	Looper Connecting Rod, Complete Set -----	1
EP4284-1A	Looper Connecting Rod -----	1
EP4285-0A	Looper Shaft -----	1
EP4286-0A	Thrust Washer -----	3
EP4287-0A	Thrust Roller Bearing -----	2
EP4289-0A	Seal Plug -----	1
EP4290-0A	Looper Driving Lever -----	1
EP4291-0A	Looper Rocker Arm -----	1
EP4293-0A	Looper Rocker Regulating Eccentric -----	1
EP4293-0Z	Looper Rocker Connecting Rod, Complete Set ---	1
EP4294-0A	Looper Rocker Connecting Rod -----	1
EP4401-0Z	Looper Connecting Rod, Complete Set -----	1
WA040010	Washer -----	2
WA050008	Washer -----	1
XA300200	Oil Wick -----	1
YD015004	Roll Pin -----	1
ZMH05001	Screw (M5-0.8×5) -----	1
ZMH06008	Screw (M6-1×6) -----	2
ZMJ06009	Screw (M6-1×18) -----	1
ZML05002	Nut (M5-0.8) -----	1
ZSB11002	Screw (11/64-40×14) -----	4
ZSB11024	Screw (11/64-40×8.3) -----	2

N. FEED DRIVING CONTROL MECHANISM *Consew 697CVF*



N. FEED DRIVING CONTROL MECHANISM

Consew 697CVF

Parts No.	Name of Parts	Q'TY	Parts No.	Name of Parts	Q'TY
BNKT252910	Roller Bearing -----	2	OPP01600	O-ring(P16) -----	1
EP4138-0A	Connecting Rod Guide -----	1	RB300260	Retaining Ring -----	2
EP4139-0A	Control Lever Shaft -----	1	WA059007	Washer -----	1
EP4140-0A	Control Lever Shaft Bushing -----	1	WB051001	Spring Washer -----	1
EP4142-0A	Oil Seal -----	1	WC069001	Conical Spring Washer ---	1
EP4143-0A	Adjusting Stop Pin -----	1	WH104001	Washer -----	1
EP4144-0A	Sticker -----	1	YA040117	Control Link Pin -----	1
EP4145-0A	Adjusting Screw -----	1	YD020006	Roll Pin -----	1
EP4146-0A	Adjusting Knob -----	1	ZMB04011	Screw (M4-0.7×8) -----	2
EP4147-0A	Control Nut -----	1	ZMC03004	Screw (M3-0.5×4) -----	1
EP4148-0A	Control Bracket Spring -----	1	ZMC04002	Screw (M4-0.7×11) -----	2
EP4149-0A	Control Link -----	1	ZMH04001	Screw (M4-0.7×4) -----	1
EP4150-0A	Pin -----	2	ZMH04009	Screw (M4-0.7×2) -----	4
EP4152-0A	Differential Feed Regulation -----	1	ZMH05002	Screw (M5-0.8×6) -----	2
EP4153-0A	Control Lever Stop -----	1	ZMH06008	Screw (M6-1×6) -----	5
EP4154-0A	Spacer -----	2	ZMJ04005	Screw (M4-0.7×12) -----	1
EP4156-0A	Nut -----	1	ZMJ05011	Screw (M5-0.8×8) -----	1
EP4157-0A	Differential Feed Control Lever -----	1	ZMK06014	Screw (M6-1×7.5) -----	1
EP4176-0A	Connecting Rod Pin -----	2			
EP4178-0A	Control Bracket -----	1			
EP4180-0A	Lever Link Pin -----	1			
EP4181-0A	Differential Feed Shaft Lever -----	1			
EP4182-0A	Lever Link (Long) -----	1			
EP4183-0A	Lever Link (Short) -----	1			
EP4185-0A	Differential Feed Connecting Rod -----	1			
EP4186-0A	Connecting Rod Pin -----	1			
EP4187-0A	Feed Lift Lever -----	1			
EP4189-0A	Feed Lift Connecting Rod -----	1			
EP4190-0A	Differential Feed Eccentric -----	1			
EP4190-0Z	Feed Lift Connecting Rod, Complete Set	1			
OPP01200	O-ring(P12) -----	1			

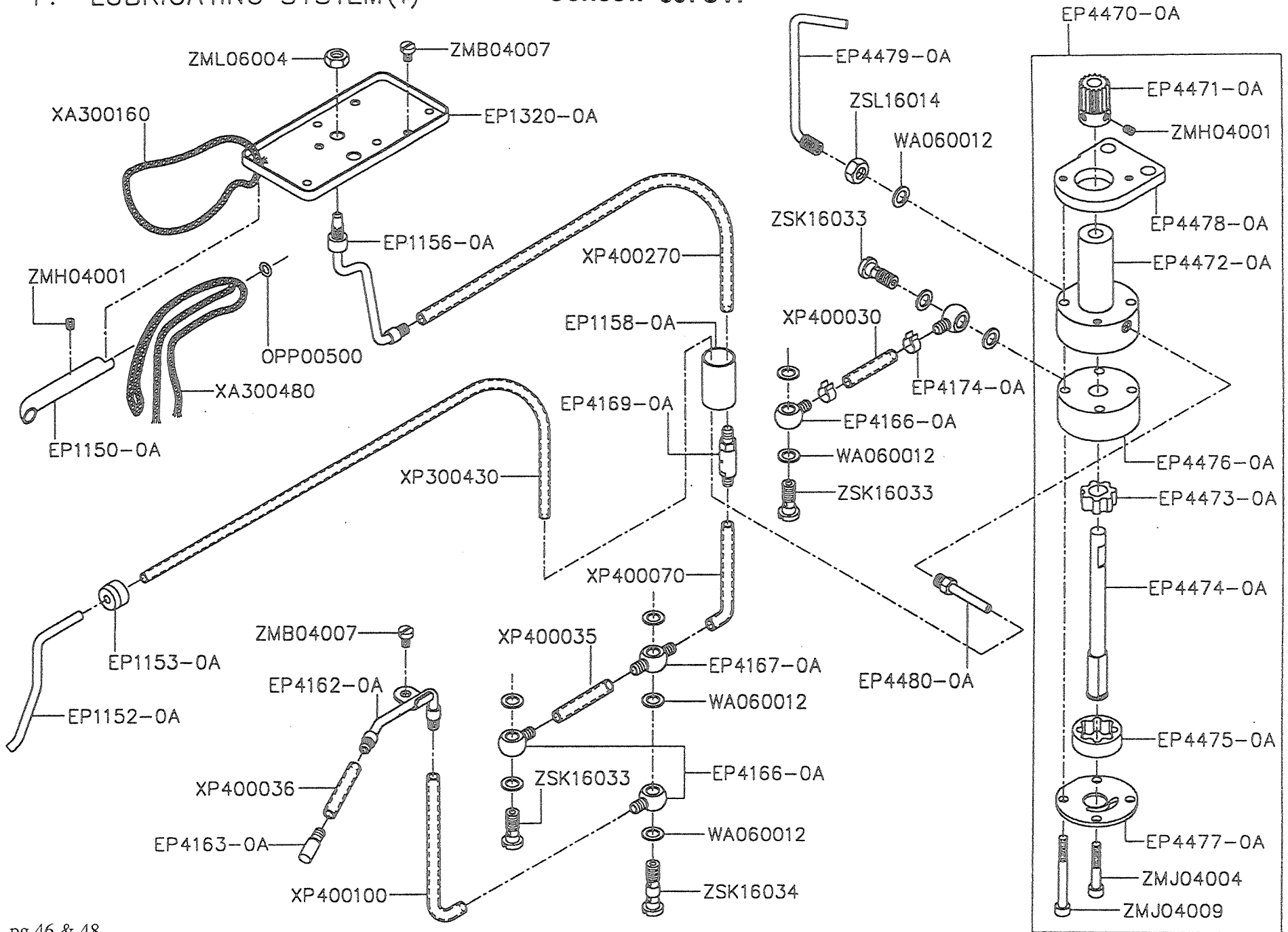
O. NEEDLE GUARD & FEED DRIVING MECHANISM

Consew 697CVF

Parts No.	Name of Parts	Q'TY	Parts No.	Name of Parts	Q'TY
EP4213-0A	Feed Regulating Stop -----	1	EP4283-0A	Seal Plug -----	2
EP4215-0A	Conical Spring Presser -----	1	WA030007	Washer -----	1
EP4216-0A	Conical Spring -----	1	XA300026	Oil Wick -----	1
EP4217-0A	Eccentric Cam -----	1	XA300300	Oil Wick -----	1
EP4218-0A	Feed Eccentric -----	1	XB300020	Oil Wick -----	1
EP4219-0A	Feed Adjusting Slide -----	1	YA030100	Stop Pin -----	1
EP4225-0A	Needle Guard (Front) -----	1	YD015004	Roll Pin -----	1
EP4226-0A	Needle Guard Holder (Front) -----	1	ZMB03010	Screw (M3-0.5×10) ----	2
EP4230-0A	Feed Bar Guide (Upper/Right) -----	1	ZMB03021	Screw (M3-0.5×6.5) ---	2
EP4231-0A	Feed Bar Guide (Upper/Left) -----	1	ZMB03026	Screw (M3-0.5×8) -----	1
EP4232-0A	Oscillation Adjusting Eccentric -----	1	ZMB03502	Screw (M3.5-0.6×8) ---	2
EP4234-0A	Driving Connection Pin -----	1	ZMB03506	Screw (M3.5-0.6×6) ---	1
EP4235-0A	Differential Feed Bar Driving Connection	1	ZMB04016	Screw (M4-0.7×10) ----	2
EP4236-0A	Differential Feed Shaft -----	1	ZMB05020	Screw (M5-0.8×18) ----	2
EP4237-0A	Feed Bar Guide (Lower) -----	1	ZMCO2501	Screw (M2.5-0.45×4) --	2
EP4238-0A	Feed Lift Block (Rear) -----	1	ZMH03002	Screw (M3-0.5×4) -----	1
EP4239-0A	Feed Lift Block (Front) -----	1	ZMH03006	Screw (M3-0.5×6) -----	1
EP4240-0A	Driving Connection Bushing -----	1	ZMH04005	Screw (M4-0.7×6) -----	2
EP4243-0A	Main Feed Bar Driving Connection -----	1	ZMH05001	Screw (M5-0.8×5) -----	2
EP4244-0A	Feed Mechanism, Complete Set -----	1	ZMH06003	Screw (M6-1×6) -----	2
EP4245-0A	Main Feed Bar -----	1	ZMH06015	Screw (M6-1×4.8) -----	2
EP4246-0A	Differential Feed Bar -----	1	ZMK04013	Eccentric Pin -----	1
EP4247-0A	Feed dog Key -----	2			
EP4251-0A	Collar -----	2	0001	(See APPENDIX)	
EP4253-0A	Feed Lift Shaft -----	1	0002	(See APPENDIX)	
EP4256-0A	Needle Guard Holder (Rear) -----	1			
EP4257-0A	Needle Guard (Rear) -----	1			
EP4257-1A	Needle Guard (Extra) -----	1			
EP4261-0A	Needle Guard Lever (Rear) -----	1			
EP4262-0A	Needle Guard Lever (Front) -----	1			
EP4263-0A	Needle Guard Eccentric (Front) -----	1			

P. LUBRICATING SYSTEM(1)

Consew 697CVF



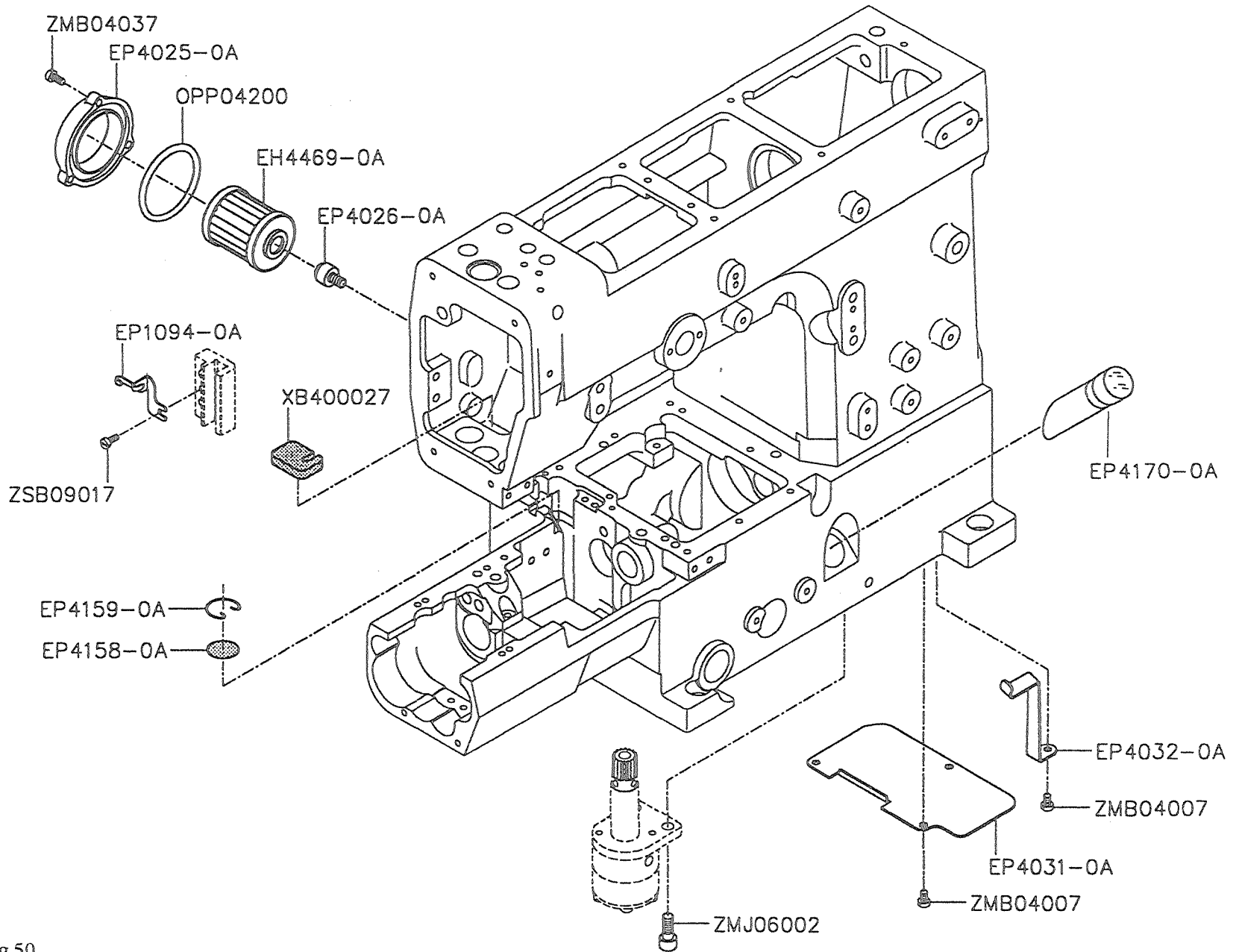
P. LUBRICATING SYSTEM(1)

Consew 697CVF

Parts No.	Name of Parts	Q'TY	Parts No.	Name of Parts	Q'TY
EP1150-0A	Needle Bar Connecting Rod Oil Pipe	1	XP400070	Oil Tube (4×6×70mm)	1
EP1152-0A	Suction Pipe	1	XP400100	Oil Tube (4×6×100mm)	1
EP1153-0A	Suction Pipe Bushing	1	XP400270	Oil Tube (4×6×270mm)	1
EP1156-0A	Oil Sight Top Nozzle	1	ZMB04007	Screw (M4-0.7×5)	3
EP1158-0A	Draining Pipe	1	ZMH04001	Screw (M4-0.7×4)	3
EP1320-0A	Oil Receiver	1	ZMJ04004	Screw (M4-0.7×25)	2
EP4162-0A	Lower Shaft Oiling Shower	1	ZMJ04009	Screw (M4-0.7×40)	2
EP4163-0A	Lower Shaft Oiling Outlet	1	ZML06004	Nut	1
EP4166-0A	Oil Tube Joint, One Way	4	ZSK16033	Fitting Stud (Short)	3
EP4167-0A	Oil Tube Joint, Two Way	1	ZSK16034	Fitting Stud (Long)	1
EP4169-0A	Non-return Valve Unit	1	ZSL16014	Nut	1
EP4174-0A	Oil Tube Clamp	2			
EP4470-0A	Oil Pump, Complete Set	1			
EP4471-0A	Oil Pump Driving Worm Gear	1			
EP4472-0A	Pump Housing	1			
EP4473-0A	Inner Gear	2			
EP4474-0A	Shaft	1			
EP4475-0A	Ring Gear	2			
EP4476-0A	Pump Base	1			
EP4477-0A	Pump Base Cover	1			
EP4478-0A	Pump Bracket	1			
EP4479-0A	Oil Nozzle for Worm Gear	1			
EP4480-0A	Suction Pipe	1			
OPP00500	O-ring(P5)	1			
WA060012	Seal	10			
XA300160	Oil Wick	1			
XA300480	Oil Wick	1			
XP300430	Oil Tube (3×5×430mm)	1			
XP400030	Oil Tube (4×6×30mm)	1			
XP400035	Oil Tube (4×6×35mm)	1			
XP400036	Oil Tube (4×6×36mm)	1			

Q. LUBRICATING SYSTEM(2)

Consew 697CVF



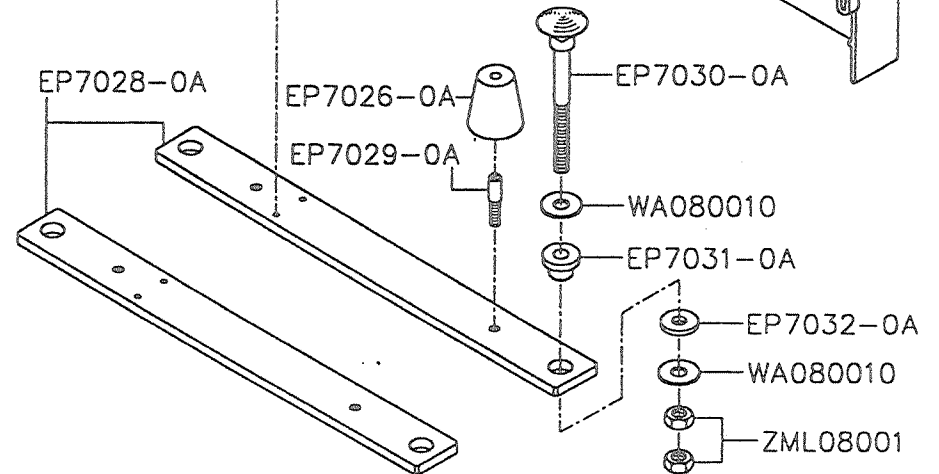
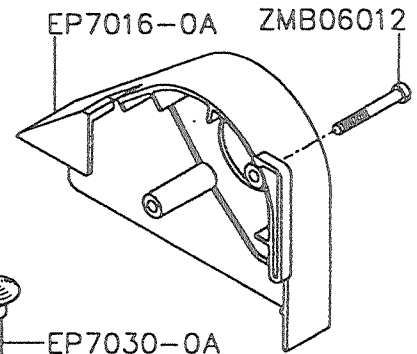
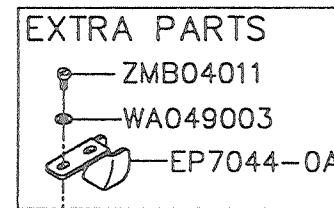
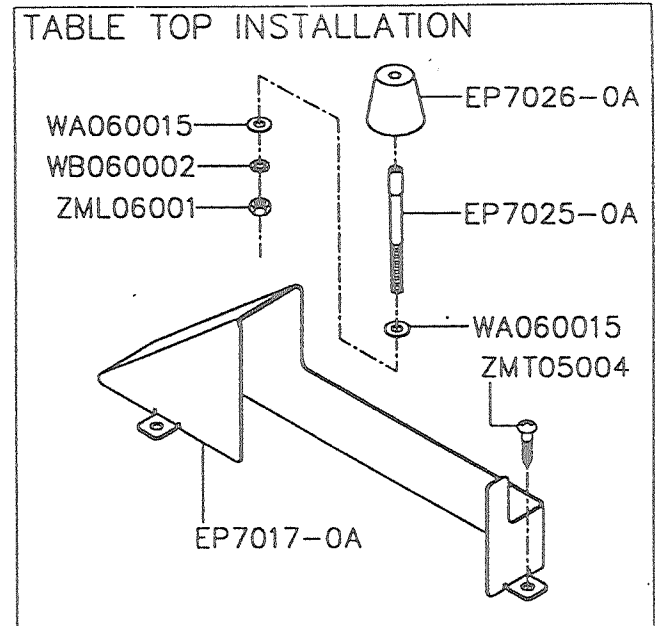
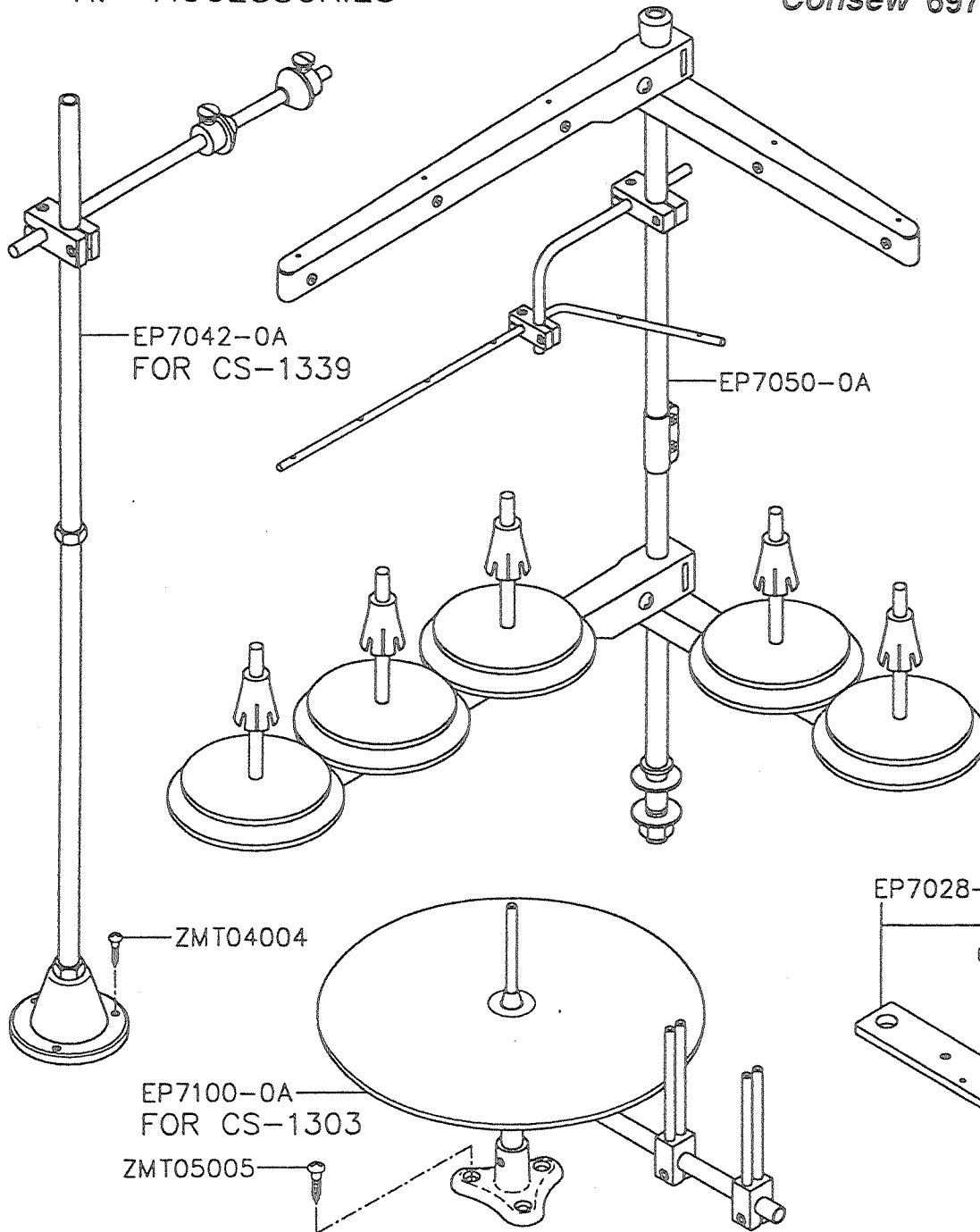
Q. LUBRICATING SYSTEM(2)

Consew 697CVF

Parts No.	Name of Parts	Q'TY
EH4469-0A	Oil Filter -----	1
EP1094-0A	Oil Wick Holder -----	1
EP4025-0A	Oil Filter Cap -----	1
EP4026-0A	Oil Filter Connector -----	1
EP4031-0A	Dust Proof Plate -----	1
EP4032-0A	Oil Tube Stay -----	1
EP4158-0A	Oil Filter Screen -----	1
EP4159-0A	Oil Filter Screen Clamp ----	1
EP4170-0A	Oil Lever Gauge -----	1
OPP04200	O-ring(P42) -----	1
XB400027	Felt -----	1
ZMB04007	Screw (M4-0.7×5) -----	4
ZMB04037	Screw (M4-0.7×12) -----	3
ZMJ06002	Screw (M6-1×15) -----	2
ZSB09017	Screw (9/64-40×7) -----	1

R. ACCESSORIES

Consew 697CVF



R. ACCESSORIES

Consew 697CVF

Parts No.	Name of Parts	Q'TY
EP7016-0A	Belt Cover -----	1
EP7017-0A	Belt Cover (Lower) -----	1
EP7025-0A	Setting Screw -----	4
EP7026-0A	Oil Reservoir Rubber Cushion -----	4
EP7028-0A	Supporting Board -----	2
EP7029-0A	Setting Screw (M6-1×16) -----	4
EP7030-0A	Hanging Bolt (M8-1.25×75) -----	4
EP7031-0A	Supporting Board Rubber Cushion -----	4
EP7032-0A	Supporting Board Rubber Cushion (Lower) -----	4
EP7042-0A	Elastic Tap Stand, Complete Set -----	1
EP7044-0A	Chain Guide -----	1
EP7050-0A	Thread Stand, Complete Set -----	1
EP7100-0A	Knitted Tap Stand, Complete Set -----	1
WA049003	Washer -----	2
WA060015	Washer -----	8
WA080010	Washer -----	8
WB060002	Spring Washer -----	4
ZMB04011	Screw (M4-0.7×8) -----	2
ZMB06012	Screw (M6-1×46) -----	2
ZML06001	Nut (M6-1) -----	4
ZML08001	Nut (M8-1.25) -----	8
ZMT04004	Wood Screw -----	3
ZMT05004	Wood Screw -----	3
ZMT05005	Wood Screw -----	3

R. ACCESSORIES

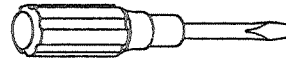
Consew 697CVF



A7001-0A



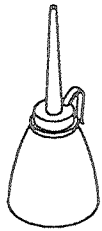
A7010-0A



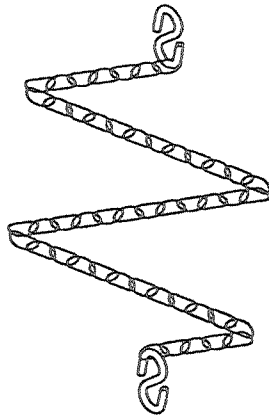
A7010-1A



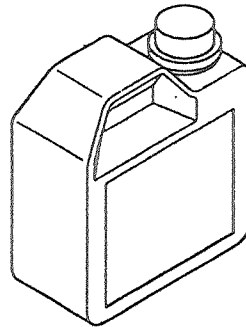
A7010-2A



A7012-1A



B7060-0A



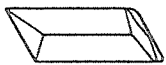
EH7012-0A



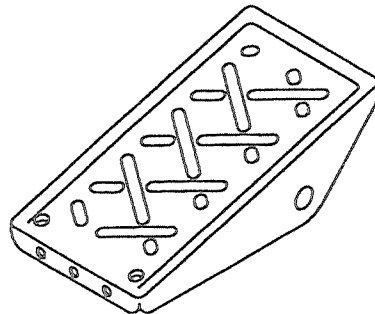
EP7086-0A



G7014-0A



INUY128GAS



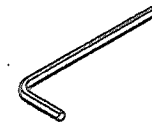
L7070-0A



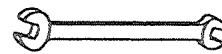
TLA015



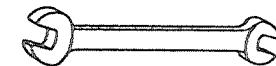
TLA025



TLA030



TRB06X07



TRB08X10

R. ACCESSORIES

Consew 697CVF

Parts No.	Name of Parts	Q'TY
A7001-0A	Vinyl Cover -----	1
A7010-0A	Screw Driver (Small) -----	1
A7010-1A	Screw Driver (medium) ----	1
A7010-2A	Screw Driver (Large) -----	1
A7012-1A	Oiler -----	1
B7060-0A	Chain Assembly -----	1
EH7012-0A	Oil Bottle -----	1
EP7086-0A	Silicone Oil -----	1
G7014-0A	Tweezers -----	1
INUY128GAS	Needles -----	6
L7070-0A	Pedal Assembly -----	1
TLA015	Hexagonal Wrench 1.5mm ---	1
TLA025	Hexagonal Wrench 2.5mm ---	1
TLA030	Hexagonal Wrench 3mm -----	1
TRB06X07	Open-end Wrench 6×7 -----	1
TRB08X10	Open-end Wrench 8×10 ----	1

S. NUMERICAL PARTS-LIST

Consew 697CVF

PARTS NO.	PAGE	PARTS NO.	PAGE	PARTS NO.	PAGE	PARTS NO.	PAGE	PARTS NO.	PAGE
A1015-0A	2	EP1018-0A	2	EP1055-0A	24	EP1086-0A	14	EP1183-0A	28
A1015-1A	2	EP1021-0A	10	EP1056-0A	10	EP1087-0A	14	EP1184-0A	28
A1019-0A	2	EP1021-1A	10	EP1057-0A	10	EP1088-0A	24	EP1186-0A	28
A7001-0A	54	EP1021-2A	10	EP1058-0A	10	EP1089-0A	24	EP1187-0A	28
A7010-0A	54	EP1024-0A	10	EP1060-0A	10	EP1092-0A	32	EP1189-0A	28
A7010-1A	54	EP1024-1A	10	EP1061-0A	10	EP1094-0A	50	EP1190-0A	28
A7010-2A	54	EP1025-0A	10	EP1062-0A	12	EP1100-0A	20	EP1191-0A	28
A7012-1A	54	EP1026-0A	10	EP1063-0A	12	EP1100-0Z	22	EP1193-0A	28
B7060-0A	54	EP1027-0A	10	EP1064-0A	12	EP1101-0A	20	EP1202-0A	28
BB6202VV	20	EP1029-0A	10	EP1065-0A	24	EP1103-0A	20	EP1203-0A	28
BB6204VVNR	16, 20	EP1030-0A	10	EP1066-0A	24	EP1105-0A	20	EP1253-0A	32
BB6205VVNR	16	EP1031-0A	10	EP1066-0Z	24	EP1106-0A	24	EP1254-0A	14
BNKT222613	32	EP1032-0A	10	EP1067-0A	12	EP1123-0A	6	EP1255-0A	14
BNKT252910	38	EP1033-0A	28	EP1068-0A	22	EP1127-0A	12	EP1256-0A	32
BNKT263013	36	EP1034-0A	10	EP1069-0A	22	EP1128-0A	12	EP1257-0A	32
BNKT81113	24	EP1035-0A	10	EP1070-0A	24	EP1129-0A	12	EP1257-0Z	32
EH4469-0A	50	EP1036-0A	10	EP1072-0A	22	EP1130-0A	24	EP1259-0A	32
EH7012-0A	54	EP1037-0A	10	EP1073-0A	12	EP1132-0A	12	EP1261-0A	32
EP1009-0A	2	EP1038-0A	10	EP1074-0A	24	EP1135-0A	34	EP1262-0A	32
EP1010-0A	2	EP1039-0A	10	EP1076-0A	24	EP1150-0A	46	EP1263-0A	32
EP1011-0A	6	EP1041-0A	10	EP1077-0A	2, 6	EP1152-0A	46	EP1265-0A	32
EP1012-0A	6	EP1042-0A	10	EP1078-0A	14	EP1153-0A	46	EP1267-0A	32
EP1013-0A	28	EP1043-0A	10	EP1079-0A	14	EP1156-0A	46	EP1268-0A	32
EP1014-0A	6	EP1045-0A	10	EP1081-0A	24	EP1158-0A	46	EP1269-0A	14
EP1015-0A	2	EP1047-0A	10	EP1082-0A	28	EP1178-0A	14	EP1270-0A	14
EP1015-1A	20	EP1051-0A	10	EP1083-0A	24	EP1179-0A	14	EP1271-0A	20
EP1016-1A	2	EP1052-0A	10	EP1084-0A	14	EP1180-0A	28	EP1273-0A	16, 20
EP1017-0A	6	EP1053-0A	10	EP1085-0A	14	EP1182-0A	28	EP1275-0A	22

S. NUMERICAL PARTS-LIST

Consew 697CVF

PARTS NO.	PAGE	PARTS NO.	PAGE	PARTS NO.	PAGE	PARTS NO.	PAGE	PARTS NO.	PAGE
EP1276-0A	22	EP1367-0A	6	EP4067-0A	2	EP4130-0A	18	EP4174-0A	46
EP1278-0A	22	EP1368-0A	6	EP4068-0A	2	EP4132-0A	18	EP4176-0A	38
EP1279-0A	22	EP4010-0A	16	EP4080-0A	6	EP4134-0A	16	EP4178-0A	38
EP1279-1A	22	EP4012-0A	6	EP4081-0A	6	EP4138-0A	38	EP4179-0A	14
EP1281-0A	14	EP4013-0A	6	EP4082-0A	6	EP4139-0A	38	EP4180-0A	38
EP1282-0A	14	EP4016-0A	6	EP4083-0A	6	EP4140-0A	38	EP4181-0A	38
EP1283-0A	20	EP4017-0A	6	EP4085-0A	6	EP4142-0A	38	EP4182-0A	38
EP1300-0A	28	EP4021-0A	6	EP4086-0A	6	EP4143-0A	38	EP4183-0A	38
EP1300-10	2	EP4025-0A	50	EP4087-0A	6	EP4144-0A	38	EP4185-0A	38
EP1301-0A	14	EP4026-0A	50	EP4089-0A	6	EP4145-0A	38	EP4186-0A	38
EP1309-0A	28	EP4031-0A	50	EP4100-0A	2	EP4146-0A	38	EP4187-0A	38
EP1312-0A	28	EP4032-0A	50	EP4101-0A	2	EP4147-0A	38	EP4189-0A	38
EP1314-0A	28	EP4034-0A	24	EP4105-0A	18	EP4148-0A	38	EP4190-0A	38
EP1315-0A	28	EP4035-0A	24	EP4106-0A	18	EP4149-0A	38	EP4190-0Z	38
EP1316-0A	28	EP4036-0A	24	EP4107-0A	18	EP4150-0A	38	EP4203-0A	6
EP1318-0A	28	EP4037-0A	24	EP4113-0A	16	EP4152-0A	38	EP4206-0A	6
EP1320-0A	46	EP4038-0A	24	EP4115-0A	16	EP4153-0A	38	EP4208-0A	6, 14
EP1324-0A	28	EP4039-0A	2	EP4116-0A	16	EP4154-0A	38	EP4213-0A	42
EP1325-0A	28	EP4051-0A	2	EP4118-0A	16	EP4156-0A	38	EP4215-0A	42
EP1327-0A	28	EP4052-0A	2	EP4119-0A	14	EP4157-0A	38	EP4216-0A	42
EP1328-0A	28	EP4053-0A	2	EP4120-0A	14	EP4158-0A	50	EP4217-0A	42
EP1345-0A	20	EP4056-0A	2	EP4121-0A	18	EP4159-0A	50	EP4218-0A	42
EP1346-0A	20	EP4057-0A	2	EP4123-0A	18	EP4162-0A	46	EP4219-0A	42
EP1347-0A	16	EP4058-0A	2, 6	EP4125-0A	18	EP4163-0A	46	EP4225-0A	42
EP1360-0A	2	EP4059-0A	2	EP4126-0A	18	EP4166-0A	46	EP4226-0A	42
EP1361-0A	2	EP4061-0A	2	EP4127-0A	18	EP4167-0A	46	EP4228-0A	14
EP1362-0A	2	EP4063-0A	2	EP4128-0A	18	EP4169-0A	46	EP4229-0A	14
EP1364-0A	2, 6	EP4065-0A	2	EP4129-0A	18	EP4170-0A	50	EP4230-0A	42

S. NUMERICAL PARTS-LIST

Consew 697CVF

PARTS NO.	PAGE	PARTS NO.	PAGE.	PARTS NO.	PAGE	PARTS NO.	PAGE	PARTS NO.	PAGE
EP4231-0A	42	EP4271-0A	34	EP4404-0A	16	INUY128GAS	24, 54	WA060015	52
EP4232-0A	42	EP4272-1A	34	EP4470-0A	46	L7070-0A	54	WA069001	32
EP4234-0A	42	EP4272-2A	34	EP4471-0A	46	OBM00030	24	WA080009	24
EP4235-0A	42	EP4272-3A	34	EP4472-0A	46	OPG04000	16	WA080010	52
EP4236-0A	42	EP4273-0A	34	EP4473-0A	46	OPP00500	46	WB051001	22, 40
EP4237-0A	42	EP4275-0A	34	EP4474-0A	46	OPP01200	38	WB060002	52
EP4238-0A	42	EP4276-0A	34	EP4475-0A	46	OPP01600	40	WC059001	6
EP4239-0A	42	EP4278-0A	34	EP4476-0A	46	OPP04200	50	WC060003	14
EP4240-0A	42	EP4279-0A	36	EP4477-0A	46	RB20015B	20	WC069001	40
EP4243-0A	42	EP4281-0A	36	EP4478-0A	46	RB200220	32	WD000035	24
EP4244-0A	42	EP4282-0A	36	EP4479-0A	46	RB300260	40	WH1104001	32, 40
EP4245-0A	42	EP4283-0A	36, 44	EP4480-0A	46	RE000030	28	WH104001	40
EP4246-0A	42	EP4284-0A	36	EP6101-0A	32	RE000040	6	WH205003	22
EP4247-0A	42	EP4284-1A	36	EP7016-0A	52	TLA015	54	WH209004	22
EP4251-0A	42	EP4285-0A	36	EP7017-0A	52	TLA025	54	WH210005	32
EP4253-0A	42	EP4286-0A	36	EP7025-0A	52	TLA030	54	WH213002	34
EP4254-0A	14	EP4287-0A	36	EP7026-0A	52	TRB06X07	54	XA300026	44
EP4255-0A	14	EP4289-0A	16, 36	EP7028-0A	52	TRB08X10	54	XA300070	24
EP4256-0A	42	EP4290-0A	36	EP7029-0A	52	WA030006	12, 18	XA300160	24, 46
EP4257-0A	42	EP4291-0A	36	EP7030-0A	52	WA030007	44	XA300200	16, 36
EP4257-1A	42	EP4293-0A	36	EP7031-0A	52	WA040010	36	XA300300	44
EP4261-0A	42	EP4293-0Z	36	EP7032-0A	52	WA049003	52	XA300480	46
EP4262-0A	42	EP4294-0A	36	EP7042-0A	52	WA049006	6, 12	XB123001-1	12
EP4263-0A	42	EP4296-0A	14	EP7044-0A	52	WA050008	34, 36	XB200005	16
EP4265-0A	34	EP4297-0A	14	EP7050-0A	52	WA059001	6	XB300020	44
EP4268-0A	34	EP4401-0A	16	EP7086-0A	54	WA059005	14	XB310005	12
EP4269-0A	34	EP4401-0Z	36	EP7100-0A	52	WA059007	40	XB400026	24
EP4270-0A	34	EP4402-0A	16	G7014-0A	54	WA060012	46	XB400027	50

S. NUMERICAL PARTS-LIST

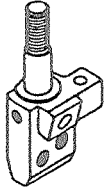
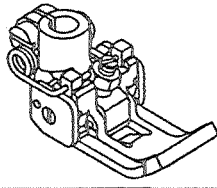
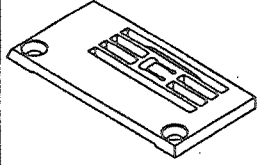
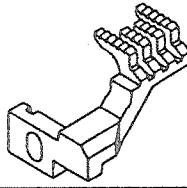
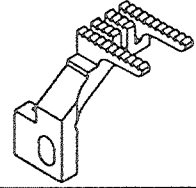
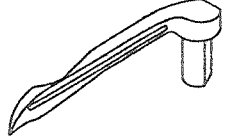
Consew 697CVF

PARTS NO.	PAGE	PARTS NO.	PAGE	PARTS NO.	PAGE	PARTS NO.	PAGE	PARTS NO.	PAGE
XC200060	12	ZMB03504	34	ZMH04009	40	ZML04002	8	ZSB24002	4
XP300430	46	ZMB03505	34	ZMH05001	32, 36, 44	ZML05002	36	ZSC09028	26
XP400030	46	ZMB03506	44	ZMH05002	40	ZML06001	18, 32, 52	ZSD11011	30
XP400035	46	ZMB04007	2, 6, 24, 48, 50	ZMH06003	16, 20, 34, 44	ZML06004	48	ZSG08006	12
XP400036	48	ZMB04011	4, 8, 12, 16	ZMH06008	8, 16, 20, 32	ZML08001	52	ZSG11060	14
XP400045	24	ZMB04011	18, 20, 24, 32	ZMH06008	36	ZMQ03006	12	ZSG12048	30
XP400070	46	ZMB04011	40, 52	ZMH06008	40	ZMQ03007	8, 12, 34	ZSK16033	48
XP400100	48	ZMB04016	4, 44	ZMH06011	16, 20	ZMQ05001	8	ZSK16034	48
XP400270	48	ZMB04022	8	ZMH06015	16, 20, 44	ZMQ06001	14	ZSL11004	14
YA030080	18	ZMB04032	24	ZMH08004	26	ZMT04004	52	ZSL16014	48
YA030100	44	ZMB04037	4, 8, 32, 50	ZMJ04002	8	ZMT05004	52	ZSN11002	12
YA040117	40	ZMB04038	8	ZMJ04004	48	ZMT05005	52		
YA040650	2	ZMB05009	34	ZMJ04005	40	ZSA08009	26		
YD015004	36, 44	ZMB05020	44	ZMJ04009	48	ZSA09009	32		
YD020006	12, 16, 24, 40	ZMB06012	52	ZMJ05001	22	ZSB06013	14		
YD040008	12	ZMC02501	44	ZMJ05003	30	ZSB06017	26		
YD040014	34	ZMC03004	8, 12, 40	ZMJ05008	22	ZSB08038	22		
YD040016	28	ZMC04002	40	ZMJ05011	40	ZSB09003	30		
ZMA04005	28	ZMC04007	8, 12	ZMJ05016	26	ZSB09011	26, 30		
ZMA05003	16	ZMG03003	12	ZMJ06002	22, 32, 50	ZSB09017	12, 50		
ZMB02503	18	ZMG04023	4	ZMJ06009	36	ZSB09051	22		
ZMB03010	44	ZMG04024	8	ZMJ08007	4	ZSB11002	22, 36		
ZMB03018	12, 28	ZMH03002	4, 16, 18, 44	ZMK03001	18	ZSB11010	30		
ZMB03020	18, 28	ZMH03006	44	ZMK03002	18	ZSB11015	30		
ZMB03021	44	ZMH04001	8, 18, 34, 40	ZMK04013	44	ZSB11024	36		
ZMB03026	44	ZMH04001	48	ZMK04014	8	ZSB11087	26		
ZMB03502	22, 44	ZMH04005	44	ZMK06013	18	ZSB11094	30, 32		
ZMB03503	34	ZMH04007	8	ZMK06014	40	ZSB15006	30		

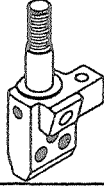
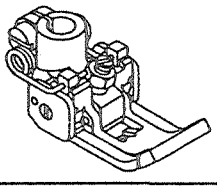
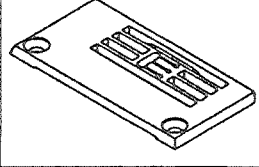
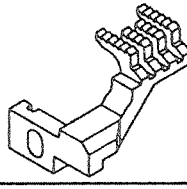
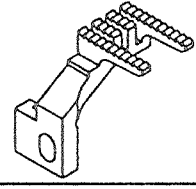
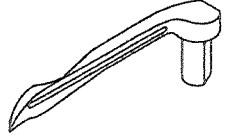
T. APPENDIX

Consew 697CVF

Alternative Parts for 2 Needles

Parts Name						
	I001	J001	I002	O001	O002	L001
Models	Needle Clamp	Presser Foot	Stitch Plate	Differential Feed Dog	Main Feed Dog	Looper
697CVF-2-132M	EP1075-232A	EP1231-232A	EP6050-232A	EP6051-310A	EP6052-310A	EP6100-0A
697CVF-2-140M	EP1075-240A	EP1231-240A	EP6050-240A	EP6051-310A	EP6052-310A	EP6100-0A
697CVF-2-148M	EP1075-248A	EP1231-248A	EP6050-248A	EP6051-310A	EP6052-310A	EP6100-0A
697CVF-2-164M	EP1075-264A	EP1231-264A	EP6050-264A	EP6051-320A	EP6052-320A	EP6100-0A

Alternative Parts for 3 Needles

Parts Name						
	I001	J001	I002	O001	O002	L001
Models	Needle Clamp	Presser Foot	Stitch Plate	Differential Feed Dog	Main Feed Dog	Looper
697CVF-3-148M	EP1075-348A	EP1231-348A	EP6050-348A	EP6051-310A	EP6052-310A	EP6100-0A
697CVF-3-156M	EP1075-356A	EP1231-356A	EP6050-356A	EP6051-310A	EP6052-310A	EP6100-0A
697CVF-3-164M	EP1075-364A	EP1231-364A	EP6050-364A	EP6051-320A	EP6052-320A	EP6100-0A

BLANK INSIDE COVER

Instruction Book for Model 697CVF



<i>Main Office</i>	<i>Miami Branch Office</i>	<i>West Coast Branch Office</i>
131 West 25th Street	7855 N.W. 29th St. (#166)	1400 South Broadway
New York, NY 10001	Miami, FL 33122	Los Angeles, CA 90015
Tel: 212-741-7788	Tel: 305-471-0200	Tel: 213-745-8844
Fax: 212-741-7787	Fax: 305-471-0243	Fax: 213-745-8855
e-mail: consew@worldnet.att.net		web: www.consew.com

From the library of: Superior Sewing Machine & Supply LLC